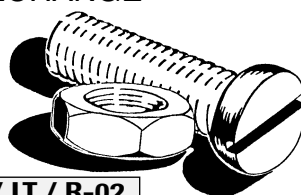




---

# DPA *XLT*

PIÈCES DE RECHANGE  
SPARE PARTS  
ERSATZTEILE



Réf: 400 285 - GB / LT / R-02



---

**Sulky Burel**

BP 92111 - rue Fabien Burel  
35221 Châteaubourg Cedex- FRANCE  
Tel: +33 (0)2.99.00.84.84 - Fax: +33 (0)2.99.62.39.38  
Website: [www.sulky-burel.com](http://www.sulky-burel.com)  
e-mail: [info@sulky-burel.com](mailto:info@sulky-burel.com)





# CONTENTS

## Pages **DPA XLT**

- 1-00 - 3-00 • **Front view**
- 4-00 • **Top view**
- 4-00 • **Side view**
- 5-00 - 6-01 • **Rear view and drive**
- 6-00 - 6-01 • **Rear view and access means**
- 7-00 - 7-01 • **Rolling unit**
- 8-00 • **Pneumatic braking control**
- 9-00 • **Hydraulic braking control**
- 10-00 - 11-01 • **DPA**
- 12-00 • **Front suspension**
- 12-00 • **Manual parking brake control**



**1**

## Pages **OPTIONS and ACCESSORIES**

- 13-00 • **Hopper extension - Anti-clod mesh - unwinding cover**
- 14-00 - 15-00 • **Hydraulic controlled double shutter**
- 16-00 • **Dose calibration kit**
- 16-00 • **Covering control kit**
- 17-00 • **Hydraulic control for emptying when stopped**
- 18-00 • **Hydraulic control for variable width**



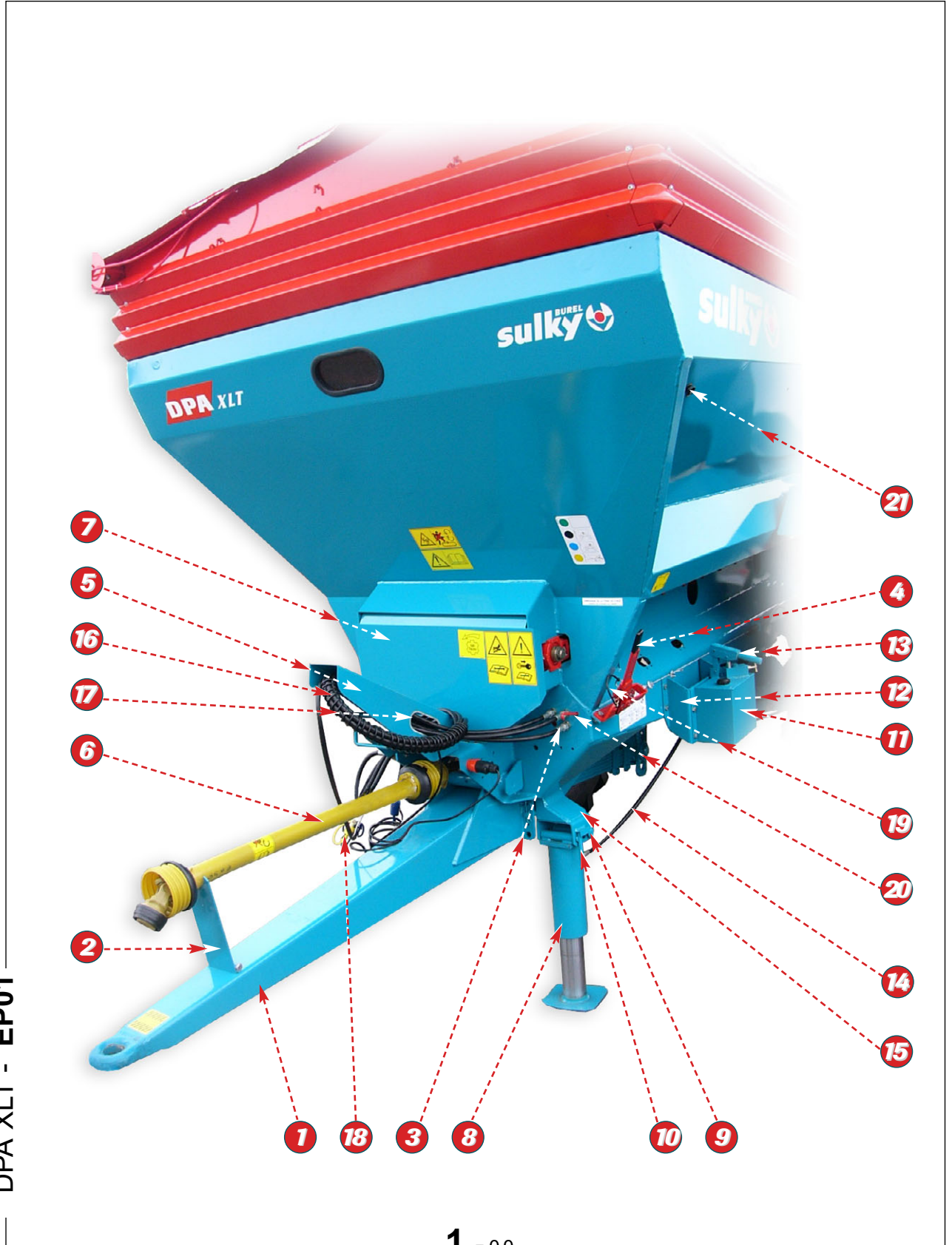
**2**

## Pages **DOUBLE TRAYS**

- 19-00 - 23-00 • **DPX TRIBORD System**



**3**



DPA XLT - EP01

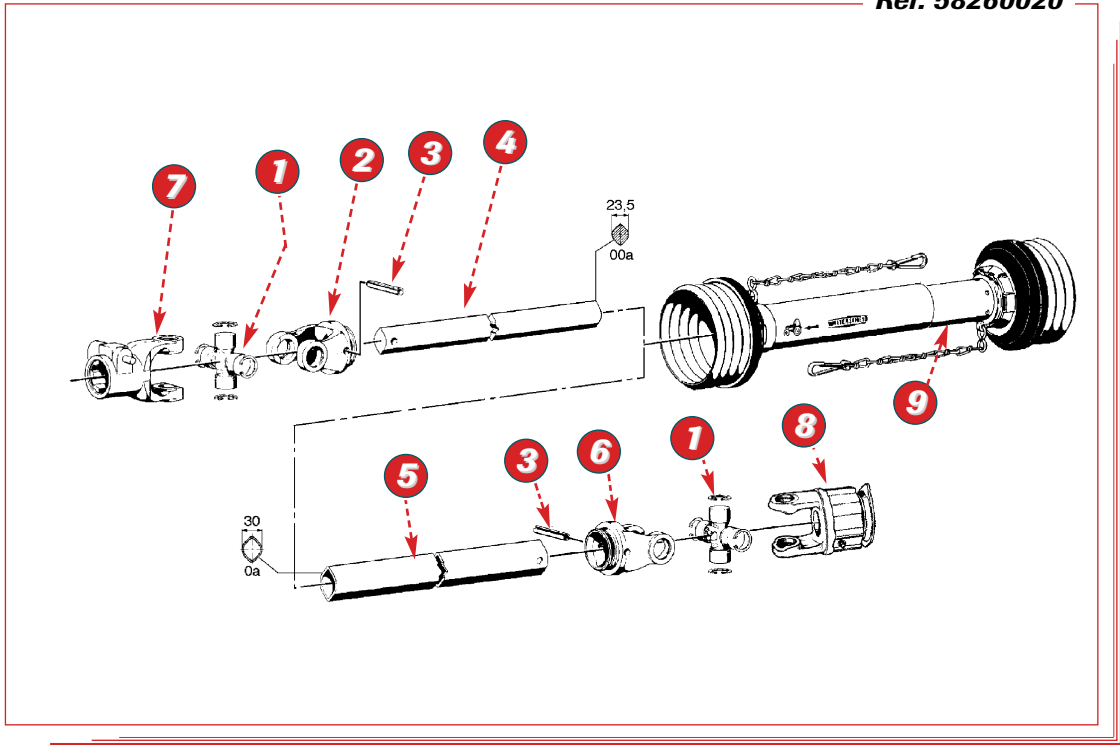
**Front view**

REP	DESIGNATION	QTY	REFERENCE
1	HITCHING DRAW BAR	1	32520092
2	TRANSMISSION SUPPORT	1	37760642
3	DPA HYDRAULIC CONTROL:		
	BULKHEAD UNION	1	57250160
	DPA HYDRAULIC TUBE	1	28260371
	WITH FLEXIBLE HOSE 2200 MM (STANDARD)	1	52520010
	UNION	1	57250180
	MALE HALF-VALVE	1	59030040
	FLEXIBLE HOSE 700 MM	1	52520020
	WITH FLEXIBLE HOSE 2200 MM (OPTION)	1	52520010
	HALF-VALVE TO SCREW	1	59030010
4	CLUTCH LEVER	1	34750011
	RATCHET	1	51250010
	SPRING	1	57270130
	PIN	1	50070040
	CABLE BELLOWS	2	57760020
	SHEATH STOP	2	50020010
	SHEATH	1	53000040
	CABLE	1	51000010
	CABLE TIGHTENER	2	57750010
	HEART SHAPED THIMBLE	1	51090010
5	FLEXIBLE HOSE AND CONNECTIONS SUPPORT	1	37761421
6	"TRACTOR/MACHINE" TRANSMISSION (SEE P: 2-00)	1	58260020
	FULL WIDE ANGLE TRANSMISSION	1	58260120
	TRACTOR SIDE (SEE P: 3-00)		58260220
	MACHINE SIDE (SEE P: 3-00)		58260230
7	FRONT HOOD	1	31080572
8	BASE STAND	1	50540062
	HYDRAULIC STAND (OPTION)	1	50540022
9	PIN	1	50070080
10	HANDLE	1	56520060
11	4L LEVER PUMP (OPTION)	1	56660012
12	SUPPORT	1	37761142
13	LEVER	1	34750081
14	FLEXIBLE HOSE 1300 MM	1	52520640
	TAPERED UNION	1	57250300
	UNION	1	57250190
15	ADJUSTABLE STAND SUPPORT	1	37761282
	ADJUSTABLE PIN SUPPORT	2	30010292
16	RETAINING SPRING (M)	0,8	71130030
17	CABLE GROMMET BAND (M)	0,8	71160070
18	PROTECTION CAP BY 1/2 VALVE YELLOW:		50530260
	PROTECTION CAP BY 1/2 VALVE GREEN:		50530250
	PROTECTION CAP BY 1/2 VALVE BLUE:		50530220
	PROTECTION CAP BY 1/2 VALVE RED:		50530230
	PROTECTION CAP BY 1/2 VALVE BLACK:		50530270
19	BLACK LINK	1	54820010
20	SANDOW HOOK	1	30060011
21	PLASTIC PULLEY	6	56530210

DPA XLT - EP01



**Ref: 58260020**



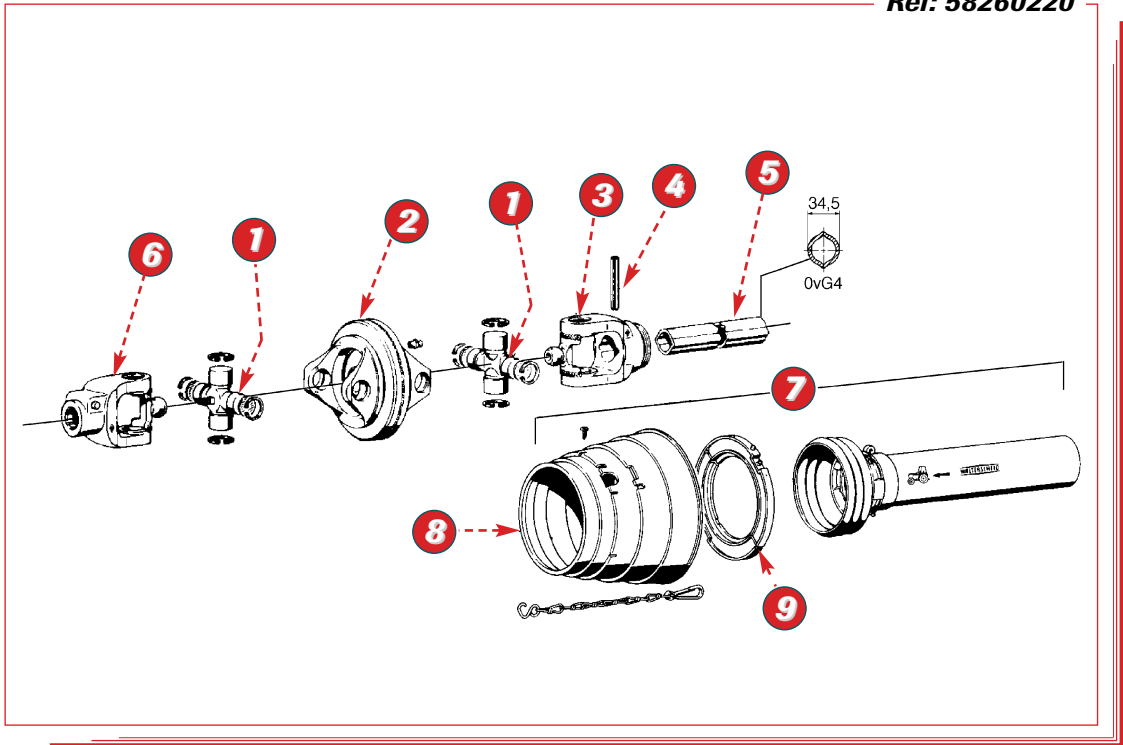
**Front view of the DPA XLT (next)**

- **TRACTOR MACHINE TRANSMISSION**

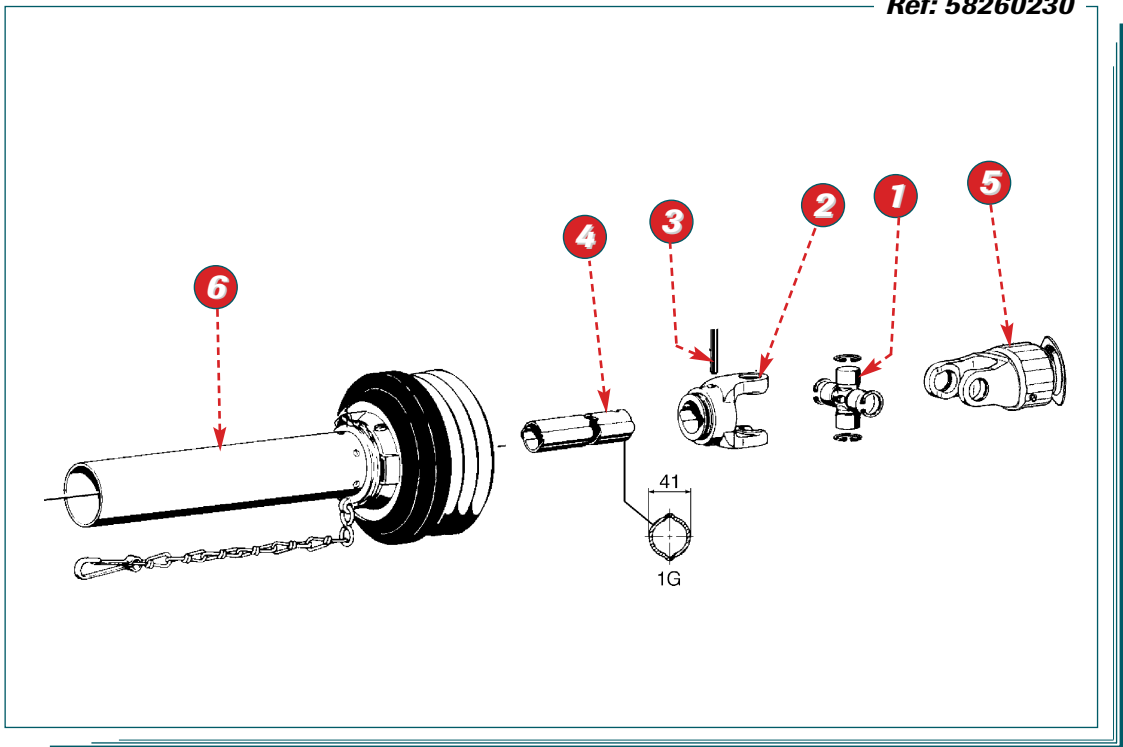
**WH 2100 PROFILE INT./EXT. 00A/OA REF: 58260020**

REP	DESIGNATION	QTY	REFERENCE
	COMPLETE TRANSMISSION W 2100	1	58260020
1	COMPLETE CROSS BRACE 10.01.00	2	51120030
2	THROAT CLAMP 10.48.00	1	55310040
3	PIN 61.04.01	2	
4	PROFILED INT. TUBE 75.06.00 ( 00A )	1	71210010
5	PROFILED EXT. TUBE 75.12.00 ( 0A )	1	71210020
6	THROAT CLAMP 10.49.00	1	55310050
7	QUICK LOCKING CLAMP 10.10.00	1	55310060
8	TORQUE LIMITER K31B (300NmE) 5536903	1	54770020
9	FULL GUARD SD05 85.003/1000	1	56540040

Ref: 58260220



Ref: 58260230



DPA XLT - EP01



**Front view of the DPA XLT (next)**

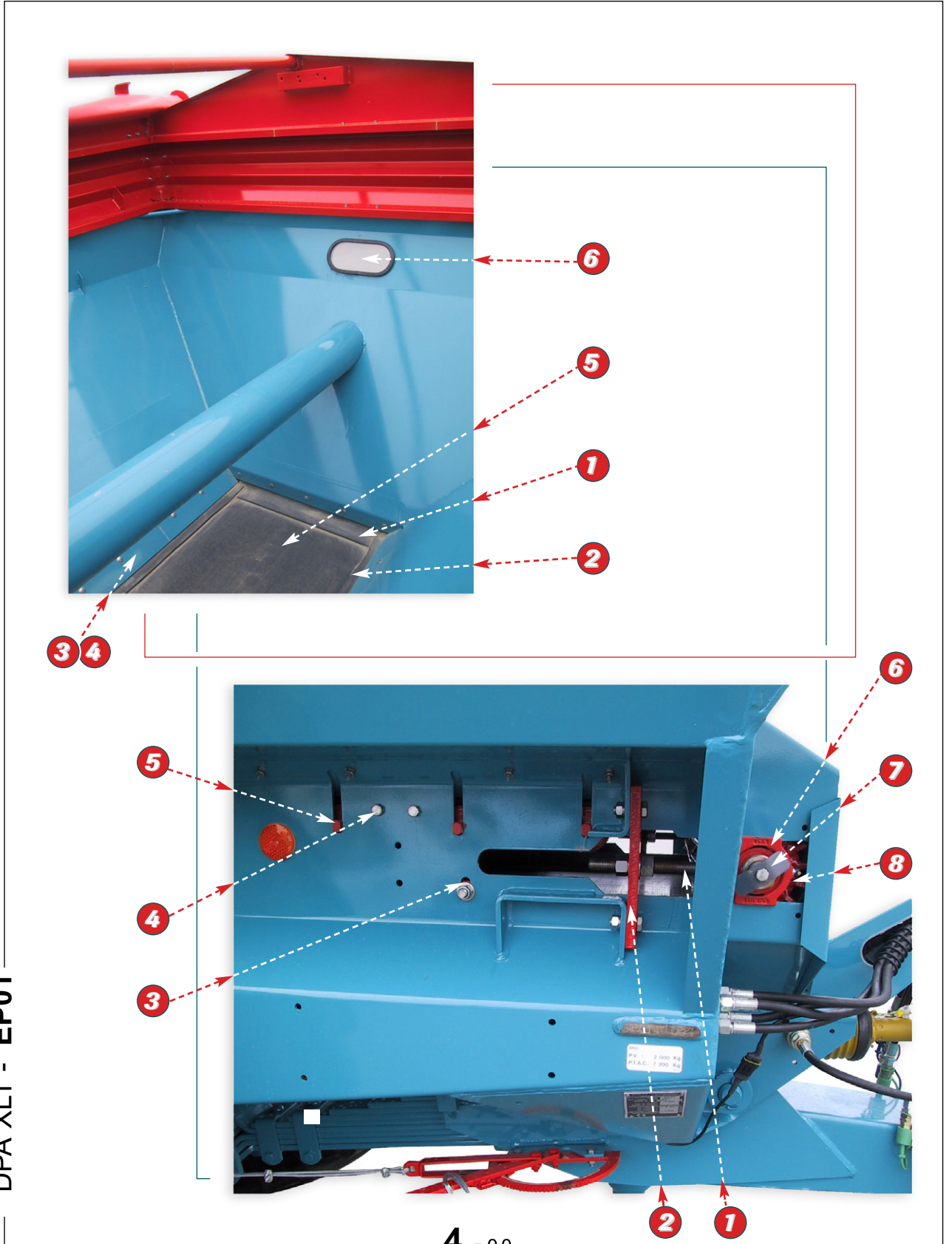
• **TRACTOR MACHINE TRANSMISSION**

**WWH 2280** PROFILE INT. **0v/GA** REF: **58260220**  
 1/2 WIDE ANGLE TRANSMISSION (6 SPLINES 1"3/8)

REP	DESIGNATION	QTY	REFERENCE
	COMPLETE TRANSMISSION WWH 2280	1	58260220
1	COMPLETE CROSS BRACE 20.06.00	2	51120060
2	DOUBLE CLAMP 20.91.05	1	55310130
3	THROAT CLAMP 20.11.810	1	55310140
4	PIN 61.05.04	1	
5	PROFILED INT. TUBE 75.11.00 ( 0vGA = 0830 )	1	71210030
6	QUICK LOCKING CLAMP 20.10.810	1	55310210
7	FULL GUARD SDH15 85.102/750	1	56540100
8	CONE GUARD 85.00.00	1	56540110
9	SLIDING RING 82.83.12	1	50550070

**WH 2200** PROFILE EXT. **1G** REF: **58260230**  
 1/2 TRANSMISSION LIMITER

REP	DESIGNATION	QTY	REFERENCE
	COMPLETE TRANSMISSION WH 2200	1	58260230
1	COMPLETE CROSS BRACE 20.00.00	1	51120020
2	THROAT CLAMP 20.12.00	1	55310100
3	PIN 61.05.04	1	
4	PROFILED EXT. TUBE 75.16.00 ( 1G = 0820 )	1	71210040
5	TORQUE LIMITER K31B (300NmE) 5519403	1	54770060
6	FULL GUARD SDH15 85.104/750	1	56540130



DPA XLT - EP01

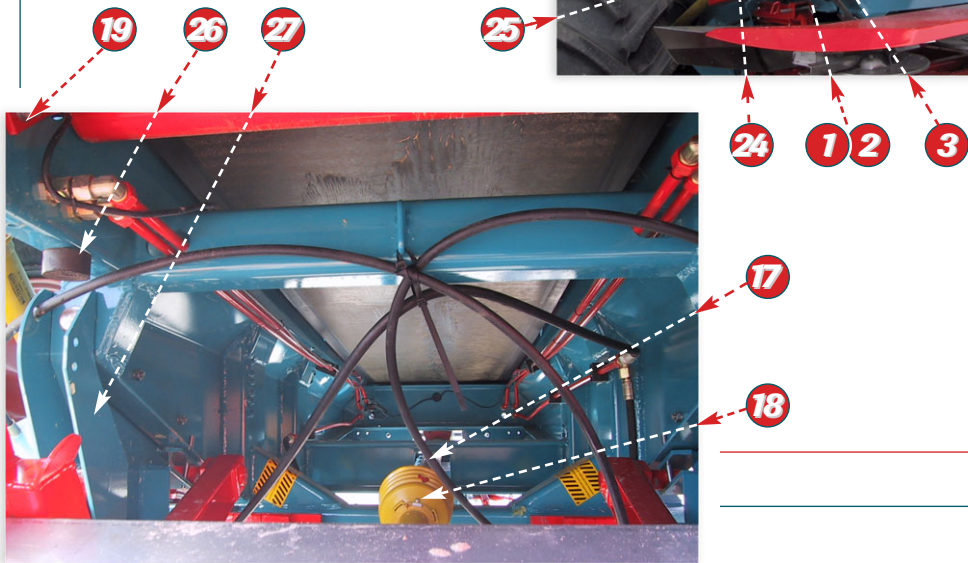
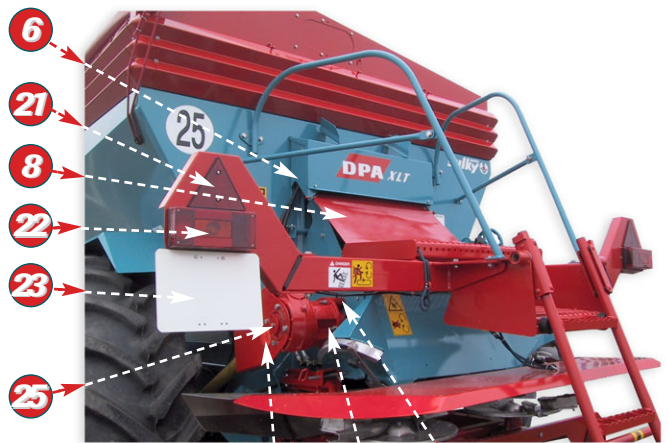
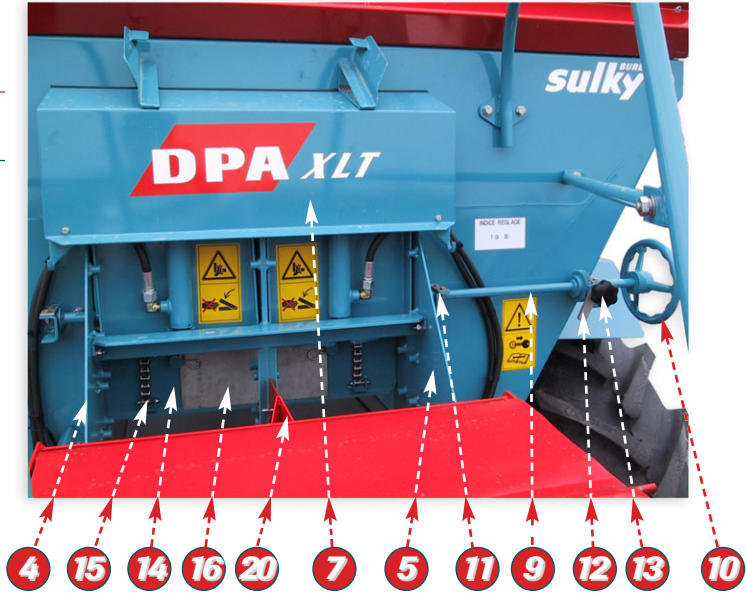
**Top view of the DPA XLT**

REP	DESIGNATION	QTY	REFERENCE
1	FRONT FLAP	1	40530260
	FRONT MOUNTING PLATE	1	46540781
2	SIDE FLAP	2	40530250
3	UPPER MOUNTING PLATE	2	46540802
4	LOWER MOUNTING PLATE	2	46540792
5	TRANSPORTING BAND	1	50600180
6	PORTRHOLE	1	908381

**Side view of the DPA XLT**

REP	DESIGNATION	QTY	REFERENCE
1	THREADED RODE WITH NUT	2	28300070
2	TENSION STOP	2	40540231
3	BAND SCRAPER	1	37270061
4	CONVEYOR BELT GUIDE	4	43020190
5	ROLLER DIAMETER 70	14	57360171
6	TAKEUP BEARINGS	2	56500051
7	ROTATION INDICATOR	1	48320013
8	TENSION DRUM	1	38320091

DPA XLT - EP01

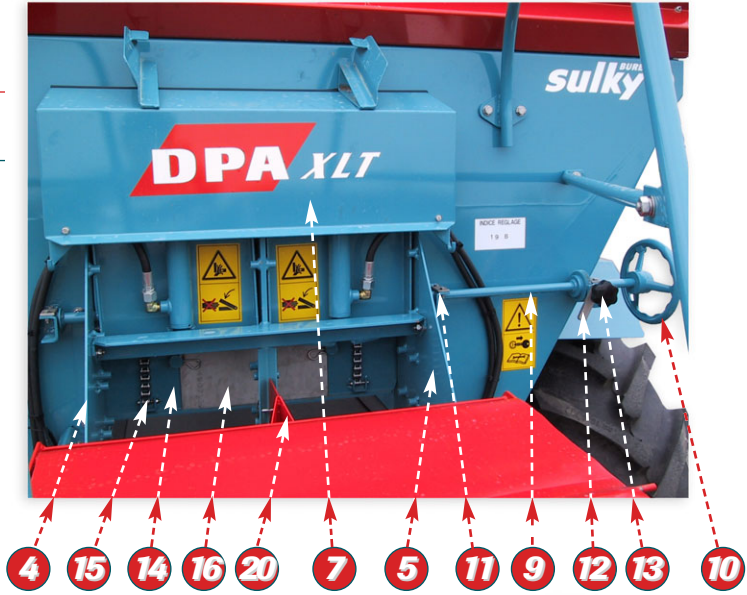


**Rear view and drive of the DPA XLT (next)**

REP	DESIGNATION	QTY	REFERENCE
1	CONTROL DRUM	1	38320101
2	FLANGE BEARING	2	56500021
3	SPACER REDUCER	4	42000151
4	LEFT SIDE GUIDING PLATE	1	38270492
5	RIGHT SIDE GUIDING PLATE	1	38270482
6	LEFT SUPPORT	1	37761482
	RIGHT SUPPORT	1	37761472
7	ANTI-DRIP PLATE	1	38270342
8	REAR PROTECTION COVER	1	50580470
	ROUND FOR COVER	1	• 09 0261
9	SHUTTER PIN	1	30010222
10	FLYWHEEL	1	59020012
11	PIN FASTENER	3	42500180
12	LOCKING PLATE	1	46540270
13	LOBED HANDLE	1	56520020
14	DRAINAGE SHUTTER	1	38290192
	SHUTTER INDEX	1	43750020
	METAL RULER	1	47280020
	METAL RULER HOLDING CLIP	1	46590031
15	CHAIN 17 LINKS	2	51030010
16	GUILLOTINE REDUCING SHUTTER	1	38290240
	BETA PIN 3 STAINLESS STEEL	2	61770010
17	FULL UNDER MACHINE TRANSMISSION	1	28290091
	TRANSMISSION TUBE	1	38300441
	TRANSMISSION TUBE SPACER	1	42000221
	DRIVESHAFT	1	30030190
	SHAFT BEARING	2	56500171
	CENTRAL BEARING	1	57310090
	SPLINED SHAFT	1	45250061
18	1/2 FEMALE RATCHET TRANSMISSION (SEE P: 6-00)	1	58260030
19	DRUM SCRAPER	1	47310021
20	SEPARATOR	1	37790011
	PIN	2	61770010
	BLACK LINK	2	54820010
	DOSAGE SCALE	1	57320060
21	WARNING TRIANGLE	2	58270010
22	FRENCH LIGHTING	1	52000060
	REAR RIGHT LIGHT	1	52550050
	REAR LEFT LIGHT	1	52550060
	RIGHT DIMMER CAP	1	51260040
	LEFT DIMMER CAP	1	51260050
23	REGISTRATION PLATE	1	56570100
	CABLE BETWEEN LIGHTS	1	51000160
	CABLE WITH FEMALE PLUG	1	51000170
	MALE/MALE CONNECTOR	1	51000180
	REGISTRATION PLATE FASTENER	1	42500411
	CLIP HOOKS	4	50080010
24	ORANGE SIDE RETRO-REFLECTORS	4	57420030
25	REDUCING WASHER	1	47250261
26	CONTACT PLATE	2	56600030
27	LEFT LOWER SUPPORT	1	37761462
	RIGHT LOWER SUPPORT	1	37761452
	LOW STOP	2	30530121

DPA XLT - EP01

DPA XLT - EP01 .. 048 → ...

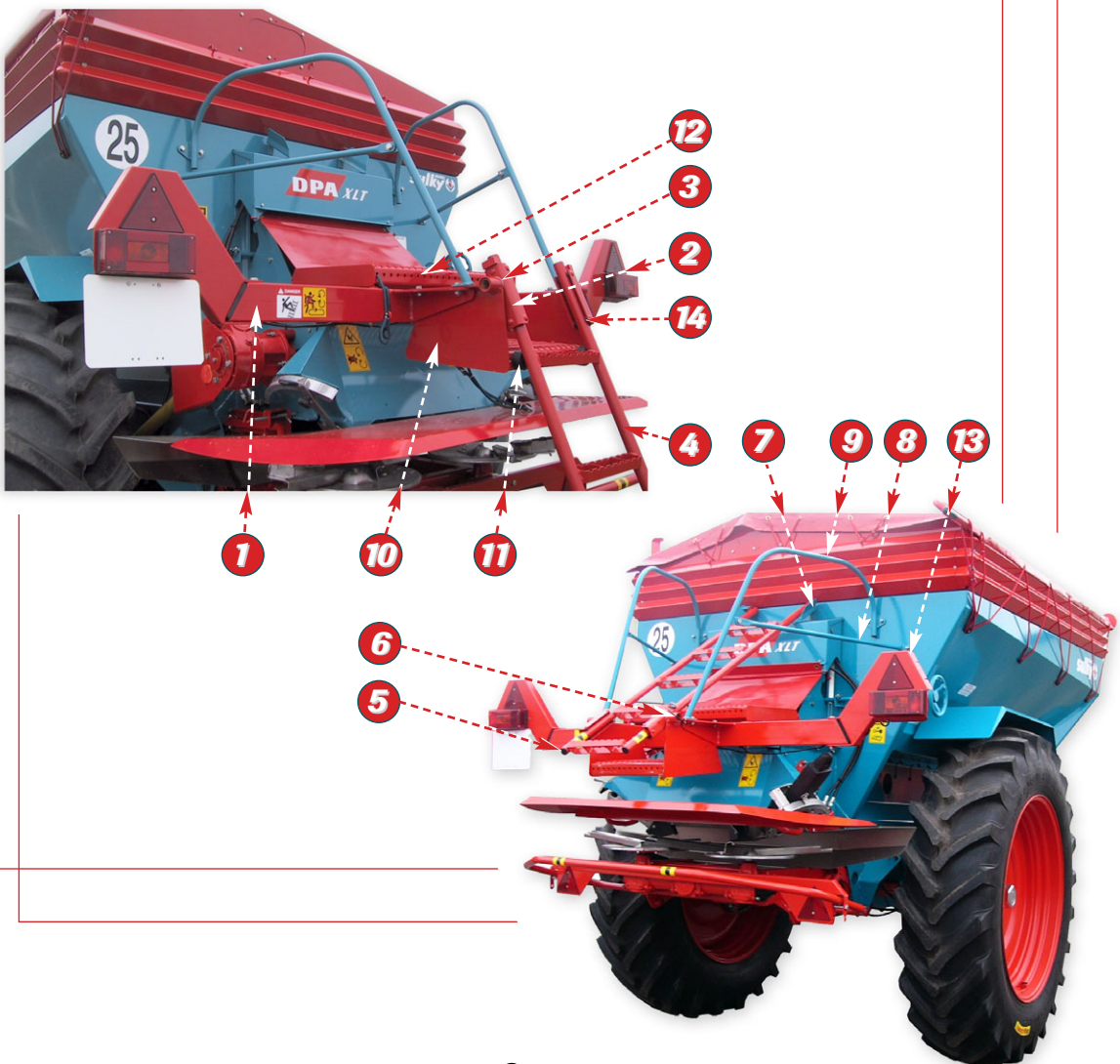
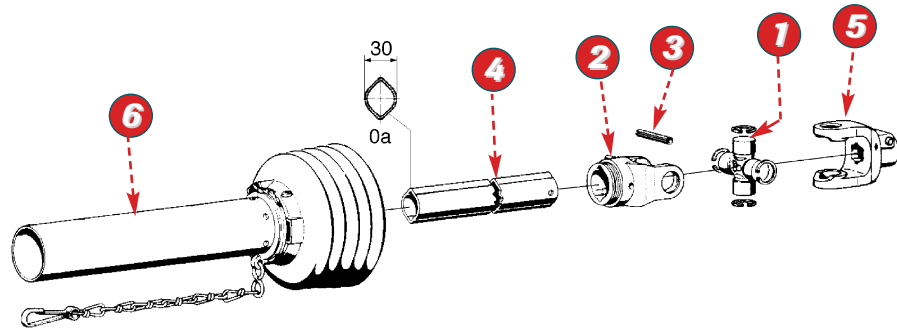


**Rear view and drive of the DPA XLT (next)**

REP	DESIGNATION	QTY	REFERENCE
1	CONTROL DRUM	1	38320101
2	FLANGE BEARING	2	56500021
3	SPACER REDUCER	4	42000151
4	LEFT SIDE GUIDING PLATE	1	38270492
5	RIGHT SIDE GUIDING PLATE	1	38270482
6	LEFT SUPPORT	1	37761482
	RIGHT SUPPORT	1	37761472
7	ANTI-DRIP PLATE	1	38270342
8	REAR PROTECTION COVER	1	50580470
	ROUND FOR COVER	1	• 09 0261
9	SHUTTER PIN	1	30010222
10	FLYWHEEL	1	59020012
11	PIN FASTENER	3	42500180
12	LOCKING PLATE	1	46540270
13	LOBED HANDLE	1	56520020
14	DRAINAGE SHUTTER	1	38290192
	SHUTTER INDEX	1	43750020
	METAL RULER	1	47280020
	METAL RULER HOLDING CLIP	1	46590031
15	CHAIN 17 LINKS	2	51030010
16	GUILLOTINE REDUCING SHUTTER	1	38290240
	BETA PIN 3 STAINLESS STEEL	2	61770010
17	FULL UNDER MACHINE TRANSMISSION	1	28290091
	TRANSMISSION TUBE	1	38300441
	TRANSMISSION TUBE SPACER	1	42000221
	DRIVESHAFT	1	30030190
	SHAFT BEARING	2	56500171
	CENTRAL BEARING	1	57310090
	SPLINED SHAFT	1	45250061
18	1/2 FEMALE RATCHET TRANSMISSION (SEE P: 6-00)	1	58260030
19	DRUM SCRAPER	1	47310021
20	SEPARATOR	1	37790011
	PIN	2	61770010
	BLACK LINK	2	54820010
	DOSAGE SCALE	1	57320060
21	LEFT LOWER SUPPORT ACCORDING TO BODY TYPE	1	37761462
	RIGHT LOWER SUPPORT ACCORDING TO BODY TYPE	1	37761452
	LOW STOP	2	30530121
22	FRENCH LIGHTING (INTEGRAL REFLECTIVE TRIANGLE - DOUBLE SIDELIGHTS)	1	52000100
	REAR RIGHT LIGHT	1	52550070
	REAR LEFT LIGHT	1	52550080
	RIGHT DIMMER CAP	1	51260060
	LEFT DIMMER CAP	1	51260070
23	REGISTRATION PLATE FASTENER	1	42500411
	CABLE BETWEEN LIGHTS	1	51000160
	CABLE WITH FEMALE PLUG	1	51000170
	MALE/MALE CONNECTOR	1	51000180
	CLIP HOOKS	4	50080010
24	ORANGE SIDE RETRO-REFLECTORS	4	57420030
25	REDUCING WASHER	1	47250261
26	CONTACT PLATE	2	56600030

DPA XLT - EP01 .. 048 → ...

Ref: 58260030



DPA XLT - EP01



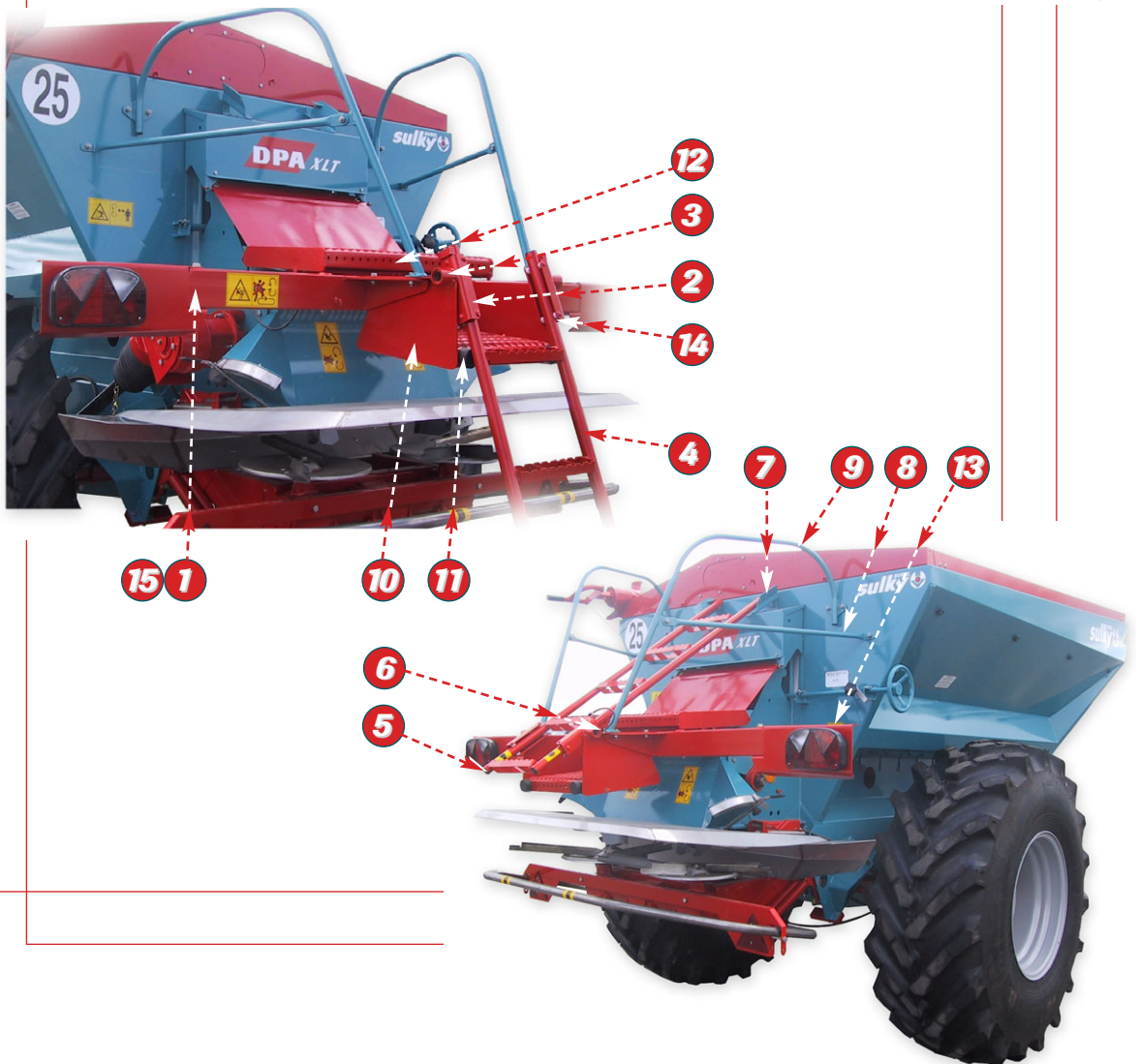
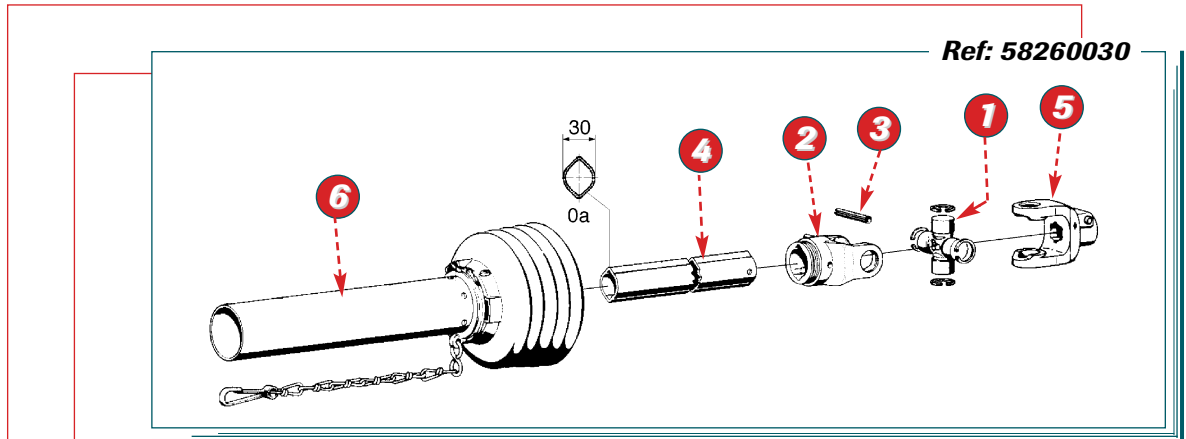
**Rear view and drive of the DPA XLT (next)**

REP	DESIGNATION	QTY	REFERENCE
	1/2 FEMALE RATCHET TRANSMISSION W 2100 FULL	1	58260030
1	COMPLETE CROSS BRACE 10.01.00	1	51120030
2	THROAT CLAMP 10.49.00	1	55310050
3	PIN 61.04.01	1	
4	PROFILED EXT. TUBE 75.12.00 ( 0A = 0520)	1	71210020
5	QUICK LOCKING CLAMP 10.10.00	1	55310060
6	1/2 INT. GUARD SCH 05 85.001/450	1	56540140

**Rear view and access means for the DPA XLT**

REP	DESIGNATION	QTY	REFERENCE
1	LIGHTING RAMP	1	30500111
2	LADDER GUIDE	2	33020021
3	SET RING	4	60640050
4	LADDER	1	32070011
5	ROUND STUB	4	52110120
6	BLACK LINK	1	54820010
	PIN	1	61770020
7	RIGHT LADDER STOP	1	30530142
	LEFT LADDER STOP	1	30530152
8	HOLDING TUBE	2	48260732
9	RIGHT GUARD RAIL	1	33050032
	LEFT GUARD RAIL	1	33050042
	ROUND STUB	2	52110150
10	UPPER STEP	1	35260021
11	CONTACT PLATE	2	56600030
12	PLATFORM ELEMENT	1	32020181
13	RIGHT LIGHTING SUPPORT	1	37761341
	LEFT LIGHTING SUPPORT	1	37761351
	CABLE PROTECTOR	2	46580101
14	SLIDING WASHER	12	47250320

DPA XLT - EP01 .. 048 → ...



**Rear view and drive of the DPA XLT (next)**

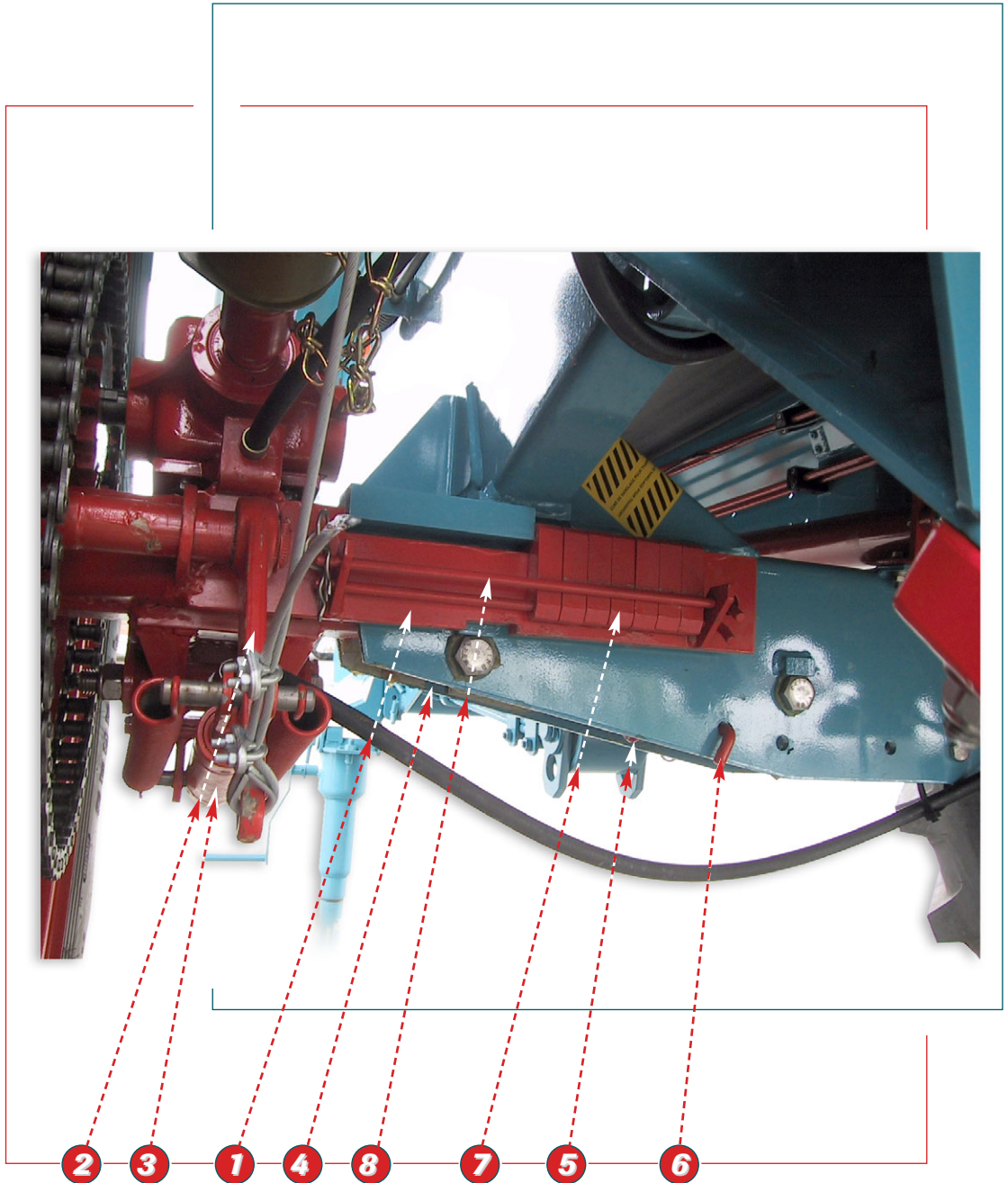
REP	DESIGNATION	QTY	REFERENCE
	1/2 FEMALE RATCHET TRANSMISSION W 2100 FULL	1	58260030
1	COMPLETE CROSS BRACE 10.01.00	1	51120030
2	THROAT CLAMP 10.49.00	1	55310050
3	PIN 61.04.01	1	
4	PROFILED EXT. TUBE 75.12.00 ( 0A = 0520)	1	71210020
5	QUICK LOCKING CLAMP 10.10.00	1	55310060
6	1/2 INT. GUARD SCH 05 85.001/450	1	56540140

**Rear view and access means for the DPA XLT**

REP	DESIGNATION	QTY	REFERENCE
1	LIGHTING RAMP	1	30500111
2	LADDER GUIDE	2	33020021
3	SET RING	4	60640050
4	LADDER	1	32070011
5	ROUND STUB	4	52110120
6	BLACK LINK	1	54820010
	PIN	1	61770020
7	RIGHT LADDER STOP	1	30530142
	LEFT LADDER STOP	1	30530152
8	HOLDING TUBE	2	48260732
9	RIGHT GUARD RAIL	1	33050032
	LEFT GUARD RAIL	1	33050042
	ROUND STUB	2	52110150
10	UPPER STEP	1	35260021
11	CONTACT PLATE	2	56600030
12	PLATFORM ELEMENT	1	32020181
13	RIGHT LIGHTING SUPPORT	1	47761041
	LEFT LIGHTING SUPPORT	1	47761051
	CABLE PROTECTOR	2	46580141
14	SLIDING WASHER	12	47250320
15	RECTANGULAR LAMINATED COVERING PLATE	2	52110220

DPA XLT - EP01 .. 048 → ...

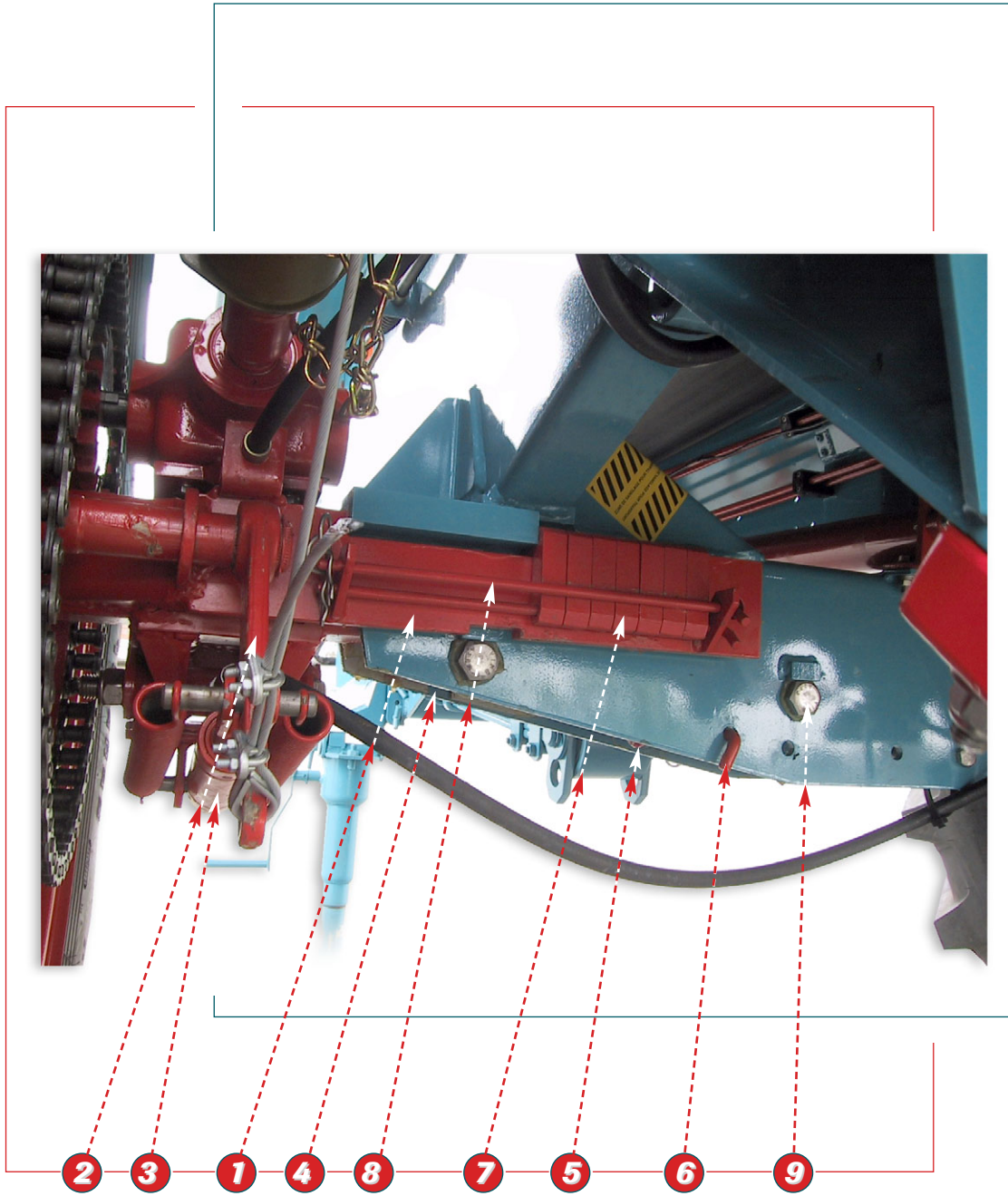
DPA XLT - EP01



**Rolling unit of the DPA XLT**

REP	DESIGNATION	QTY	REFERENCE
1	LEFT HALF AXLE WITH FLANGE AND STOP	1	32010351
	RIGHT HALF AXLE WITH FLANGE AND STOP	1	32010341
	CHAMBER	2	51210020
	HUB	2	55320120
	LINED BRAKE SHOE	4	55310080
	BRAKE CAM	2	51220030
	RETURN SPRING	4	57270240
2	CONNECTING ROD	2	50610020
	STUD M18, L = 81	16	53010110
	NUT M18	16	52010070
	WHEEL COVER	2	51230061
	FRONT BEARING	2	57310220
	REAR BEARING	2	57310380
	DUST COVER	2	51240150
	HEXAGON SLOTTED NUT	2	52010110
3	HYDRAULIC BRAKING CONTROL (SEE P. 9-00)		
	PNEUMATIC BRAKING CONTROL (SEE P. 8-00)		
4	SLIDE RAIL	1	43050030
	GREASE NIPPLE	6	53020010
5	ECCENTRIC LOCKING	2	42040021
6	STOP PIN	2	42050031
7	WEDGE	14	41100091
8	WEDGE PINS	4	42050021

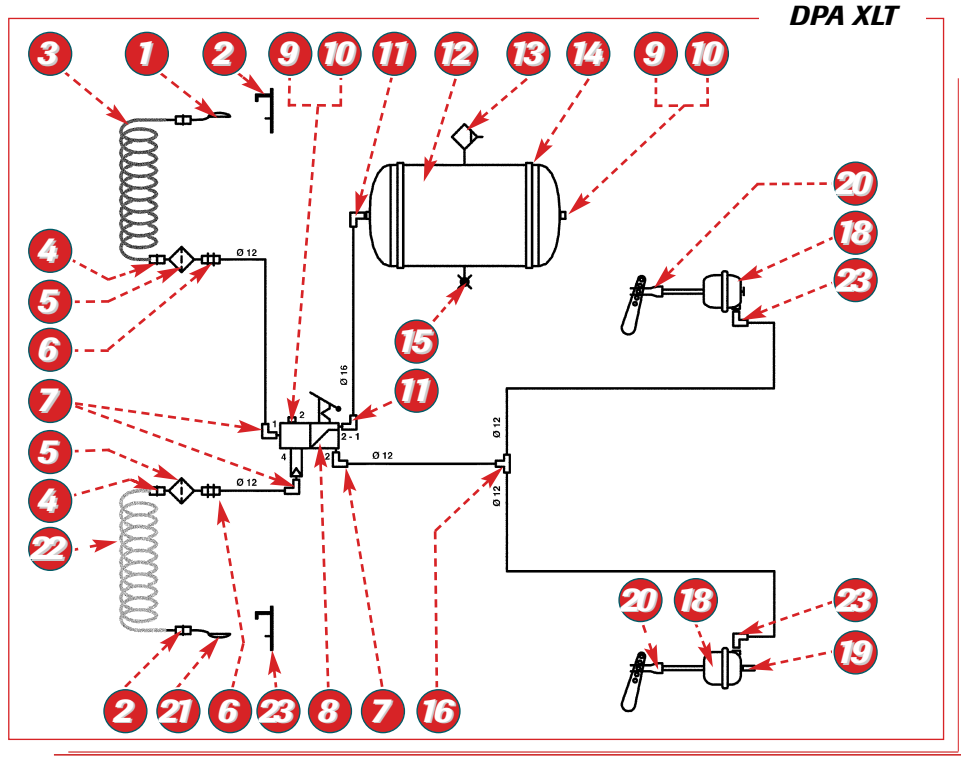
DPA XLT - EP01 .. 048 → ...



**Rolling unit of the DPA XLT**

REP	DESIGNATION	QTY	REFERENCE
1	LEFT HALF-AXLE (SINGLE TRACK ADJUSTMENT RAIL)	1	32010421
	RIGHT HALF-AXLE (SINGLE TRACK ADJUSTMENT RAIL)	1	32010411
1	LEFT HALF AXLE WITH FLANGE AND STOP (ONLY WITH HYDRAULIC TRACK CONTROL)	1	32010351
	RIGHT HALF AXLE WITH FLANGE AND STOP (ONLY WITH HYDRAULIC TRACK CONTROL)	1	32010341
	CHAMBER	2	51210020
	HUB	2	55320120
	LINED BRAKE SHOE	4	55310080
	BRAKE CAM	2	51220030
	RETURN SPRING	4	57270240
2	CONNECTING ROD	2	50610020
	STUD M18, L = 81	16	53010110
	NUT M18	16	52010070
	WHEEL COVER	2	51230061
	FRONT BEARING	2	57310220
	REAR BEARING	2	57310380
	DUST COVER	2	51240150
	HEXAGON SLOTTED NUT	2	52010110
3	HYDRAULIC BRAKING CONTROL (SEE P. 9-00)		
	PNEUMATIC BRAKING CONTROL (SEE P. 8-00)		
4	SLIDE RAIL END	2	43050040
	SLIDE RAIL (ONLY WITH HYDRAULIC TRACK CONTROL)	1	43050030
	GREASE NIPPLE (ONLY WITH HYDRAULIC TRACK CONTROL)	6	53020010
5	ECCENTRIC LOCKING (ONLY WITH HYDRAULIC TRACK CONTROL)	2	42040021
6	STOP PIN (ONLY WITH HYDRAULIC TRACK CONTROL)	2	42050031
7	WEDGE (ONLY WITH HYDRAULIC TRACK CONTROL)	14	41100091
8	WEDGE PINS (ONLY WITH HYDRAULIC TRACK CONTROL)	4	42050021
9	PARTIALLY THREADED SCREW	4	61110160

DPA XLT - EP01 .. 048 → ...

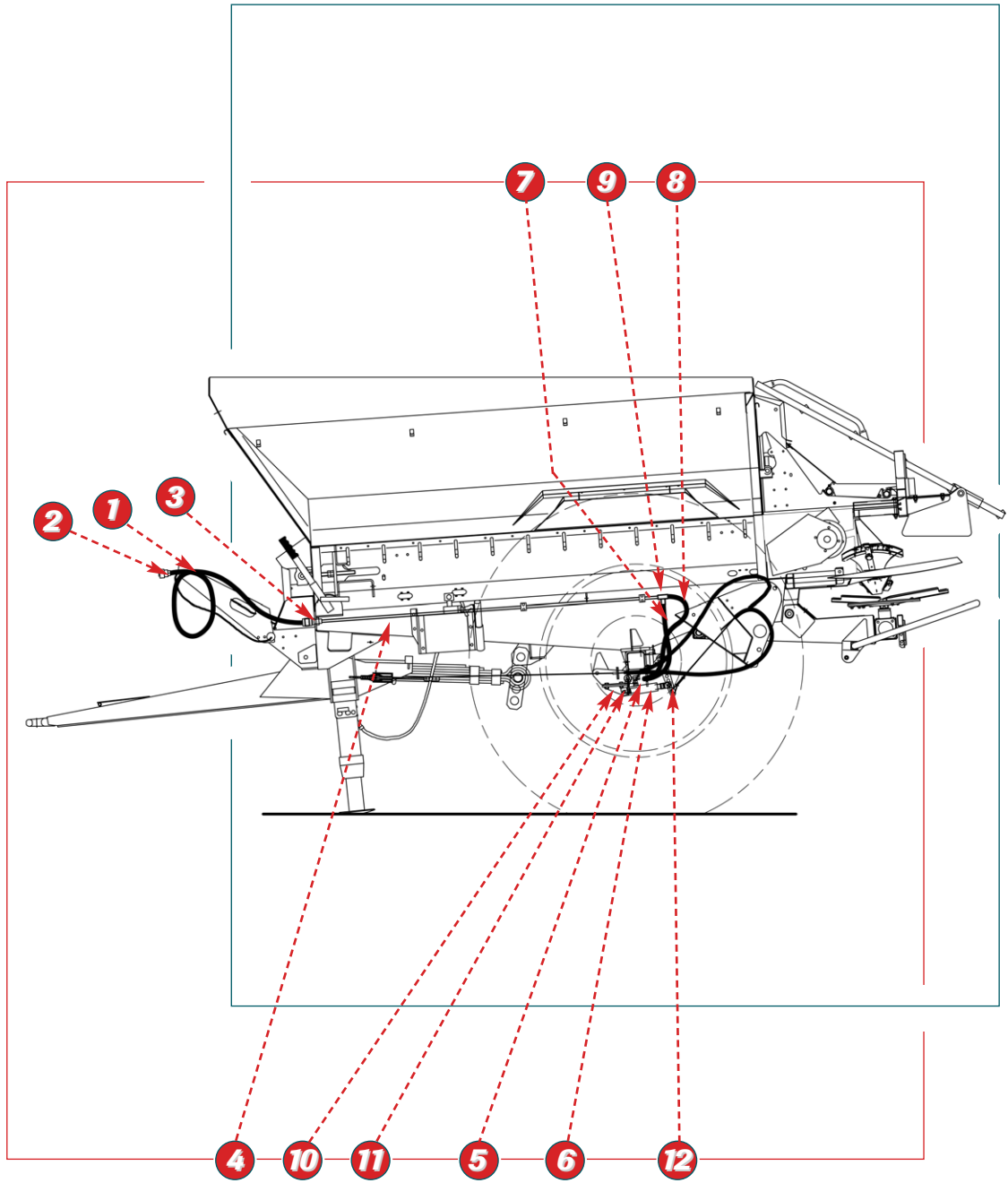




***Pneumatic braking control***

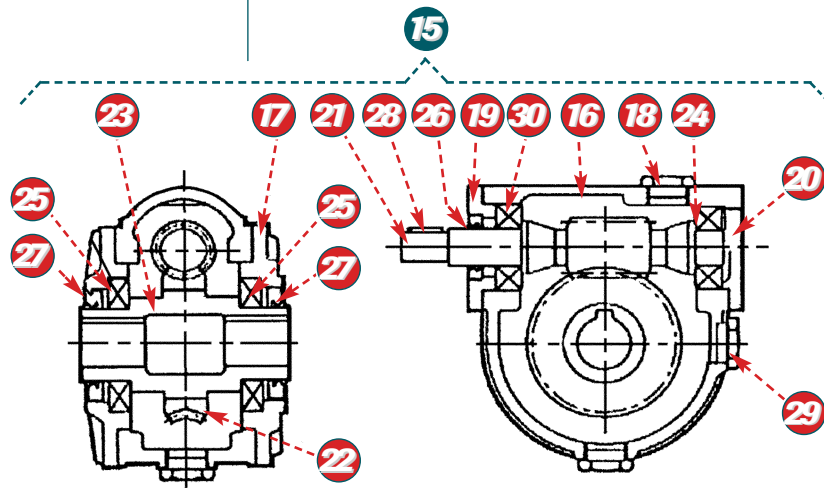
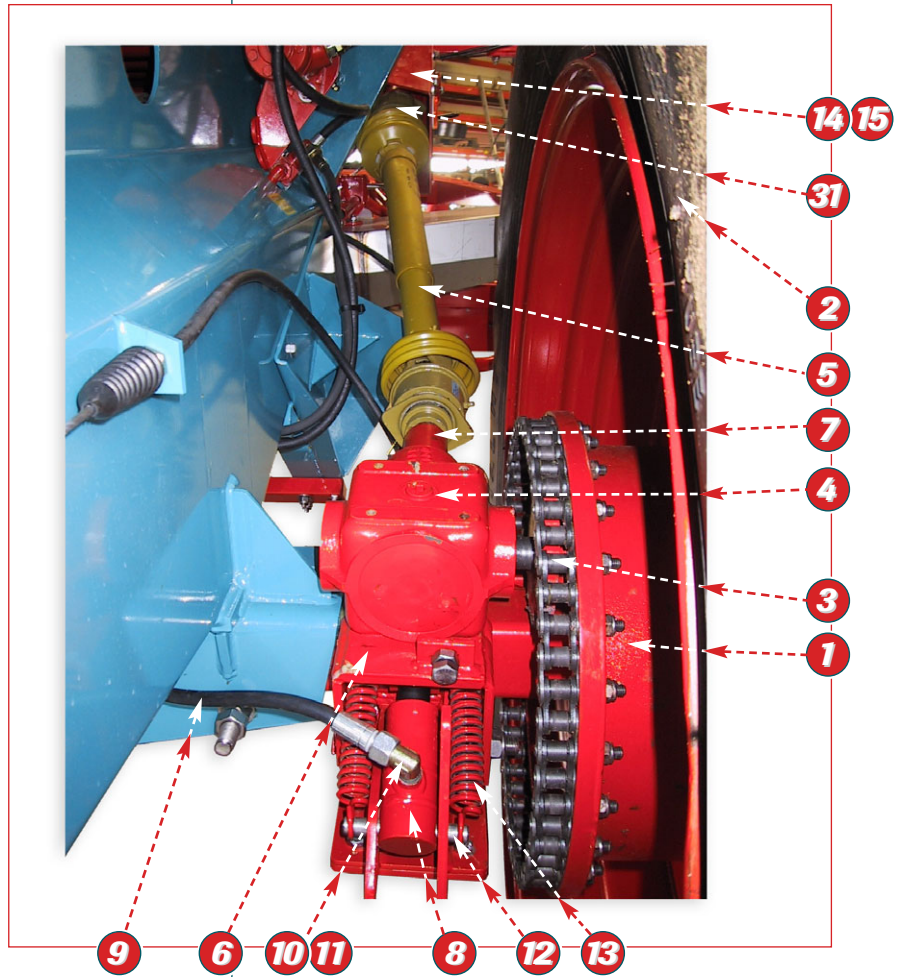
REP	DESIGNATION	QTY	REFERENCE
	PNEUMATIC BRAKING CONTROL		21020571
1	RED HEAD	1	58340100
2	HEAD SUPPORT	2	57780050
3	RED SPIRAL TUBE	1	58320060
4	RIGHT CONNECTOR M22 x 1,5/ø12	2	57250830
5	IN-LINE FILTER	2	52540070
6	CHASSIS UNION M22 x 1,5/ø12	2	57250850
7	ELBOW M22 x 1,5/ø12	3	57250800
8	EMERGENCY RELAY VALVE	1	59030141
9	RETAINER + SEAL	2	54000540
10	CAP M22 x 1,5	2	50530130
11	ELBOW M22 x 1,5/ø16	2	57250810
12	TANK 30 L	1	57400031
13	PURGE VALVE	1	59030150
14	COLLAR + SUPPORT	2	51070221
15	PRESSURE TAP M22 x 1,5	1	56690030
16	T-PIECE	1	57250050
18	BRAKE CYLINDER TYPE 12 (IF Ø WHEEL > 1350)	2	59120041
	BRAKE CYLINDER TYPE 16 (IF Ø WHEEL > 1350)	2	59120021
19	PRESSURE TAP M16 x 1,5	1	56690040
20	CYLINDER CASE	2	51040050
21	YELLOW HEAD	1	58340110
22	YELLOW SPIRAL TUBE	1	58320070
23	ELBOW M16 x 1,5/ø12	2	57250820
	POLYAMIDE TUBE Ø 9/12 (M)		70950090
	POLYAMIDE TUBE Ø12/16 (M)		70950080
	CYLINDER SUPPORT T16	2	37761561
	TANK FASTENER	2	42500491
	EMERGENCY RELAY VALVE FASTENER	1	42500501

DPA XLT - EP01



**Hydraulic braking control of the DPA XLT**

REP	DESIGNATION	QTY	REFERENCE
	HYDRAULIC BRAKING CONTROL		21020561
1	FLEXIBLE HOSE 2200 MM	1	52520010
2	BALL COUPLER	1	51150010
3	BULKHEAD UNION	1	57250160
4	HYDRAULIC PIPE	1	28260331
5	ELBOW	2	57250280
6	RAM Ø 25	2	59000221
7	FLEXIBLE HOSE 700 MM	1	52520100
8	FLEXIBLE HOSE 1650 MM	1	52520250
9	T-PIECE	1	57250060
10	RAM SUPPORT	2	37761551
11	RAM CASING PIN	2	50070180
12	RAM PIN	2	40040710
	DRAW SPRING	4	57270201



DPA XLT - EP01

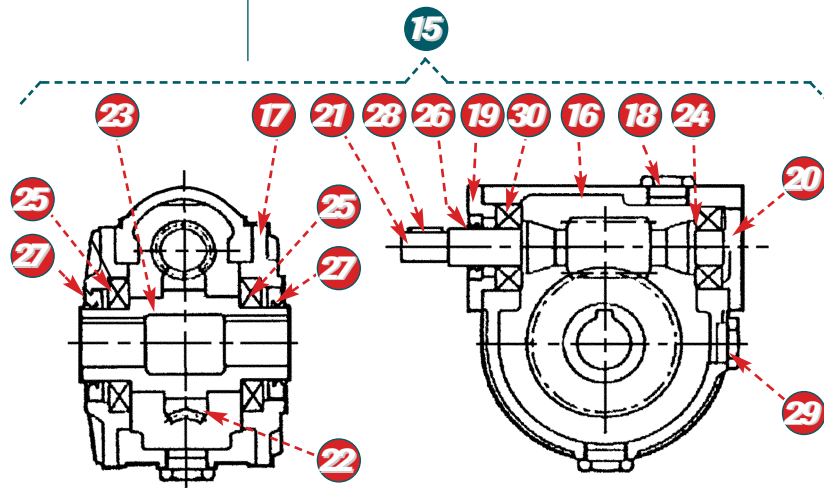
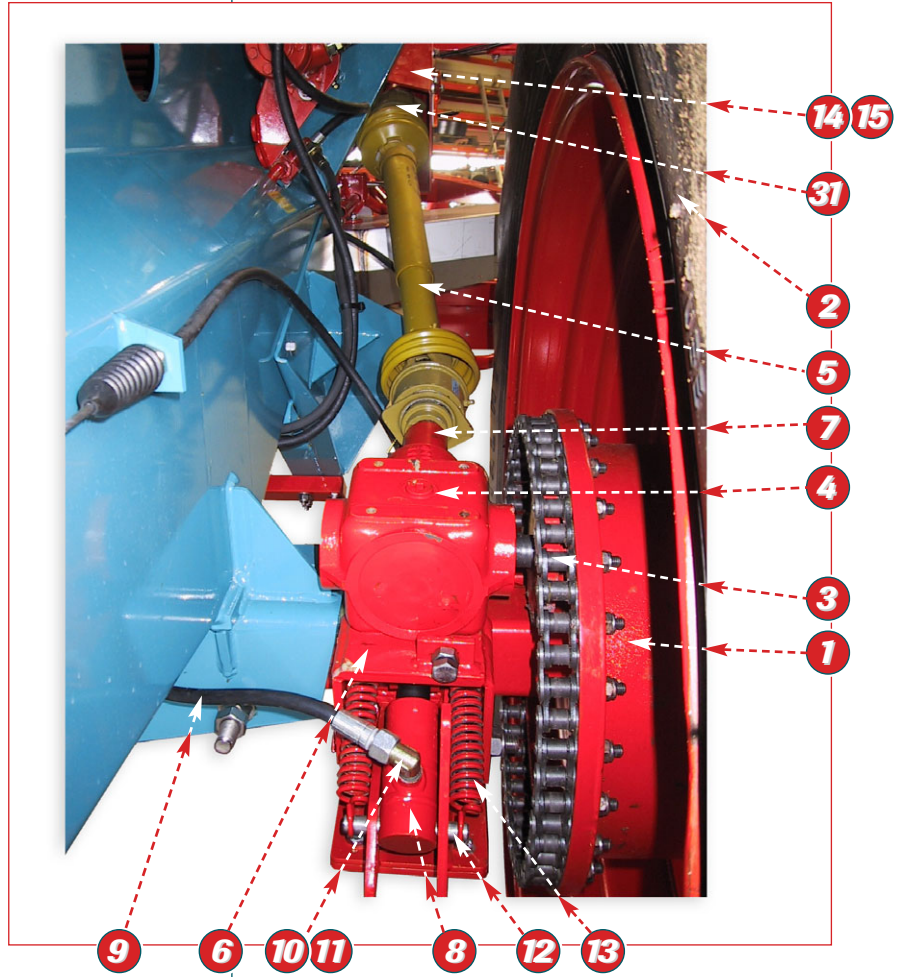
**DPA of the DPA XLT**

REP	DESIGNATION	QTY	REFERENCE
1	CHAMBER WITH CHAIN	1	21000011
	CHAMBER 28 HOLES	1	41010011
	STUD CHAIN 56 LINKS	1	21010010
2	LEFT WHEEL (NB: STANDARD MOUNT) 11.2 R 44	1	57290630
	RIGHT WHEEL (NB: STANDARD MOUNT) 11.2 R 44	1	57290620
	TYRE	2	56550150
	RIM	2	54010120
	AIR CHAMBER	2	51130090
	VALVE	2	59030160
3	PINION	1	56510041
4	REVERSER REDUCER RA130	1	57260021
	HOUSING	1	51170060
	BEVEL GEAR	2	57300060
	INPUT SHAFT	1	50050100
	THROUGH SHAFT	1	50050120
	CIRCLIPS	2	51060100
	SEALING GASKET	1	54000840
	BEARING	2	57310250
	SEALING GASKET	2	54000850
	MECANINDUS CAP	1	50530010
	KEY	2	60830060
	CIRCLIPS	1	51060080
	BEARING	2	57310260
5	DPA TRANSMISSION (SEE P. 11-00)	1	58260260
6	CLUTCH SUPPORT	1	37761031
	PARTIALLY THREADED SCREW	1	61110160
	GREASE NIPPLE	1	53020010
7	BORED SPLINED SHAFT Ø 25	1	45250101
8	RAM	1	59000251
9	FLEXIBLE HOSE 700 MM	1	52520020
10	FLOW LIMITER SCREW	1	49030030
11	TAPPED ELBOW FITTING	1	47330020
12	ROD PIN	2	40040710
13	DRAW SPRING	2	57270341
14	GUARD	1	46580061
15	REDUCER 1/15	1	57260401
16	CARCASS	1	51180050
17	PENDULAR FLANGE	1	50590350
18	FILLER CAP*	1	50530300
19	SIDE COVER GV	1	51140220
20	REAR COVER	1	51140230
21	ENDLESS SCREW	1	59010070
22	TANGENT WHEEL	1	57300210
23	HOLLOW SHAFT	1	50050220
24	ENDLESS SCREW BEARING	1	57310260
25	HOLLOW SHAFT BEARING	2	57310420
26	ENDLESS SCREW SEAL	1	54000600
27	HOLLOW SHAFT SEAL	2	54000450
28	KEY	1	60830090
29	OIL LEVEL LIGHT	1	59050070
	EVENT PLUG	1	50530310
	FLANGE FR	1	50590360
30	ENDLESS SCREW BEARING	1	57310610
31	BORED SPLINED SHAFT Ø 24	1	45250151

\* RECOMMENDED OIL: TOTAL CARTER EP 220 (1,4 LITRES)

DPA XLT - EP01

DPA XLT - EP01 .. 028 → ...

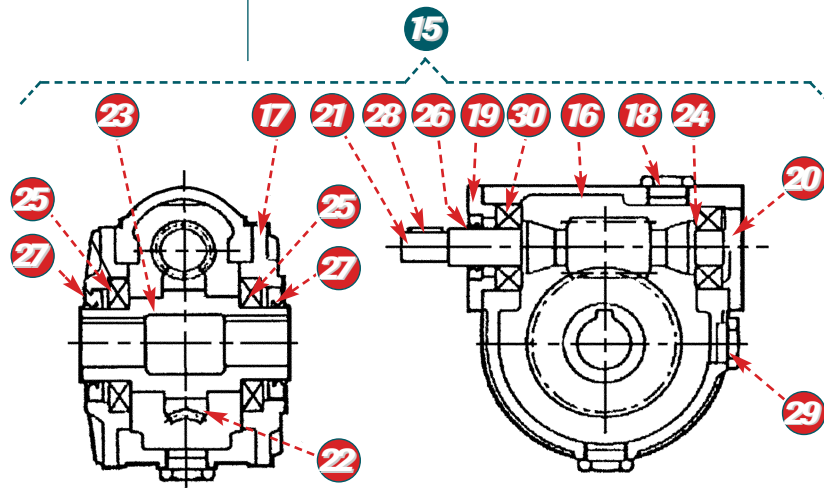
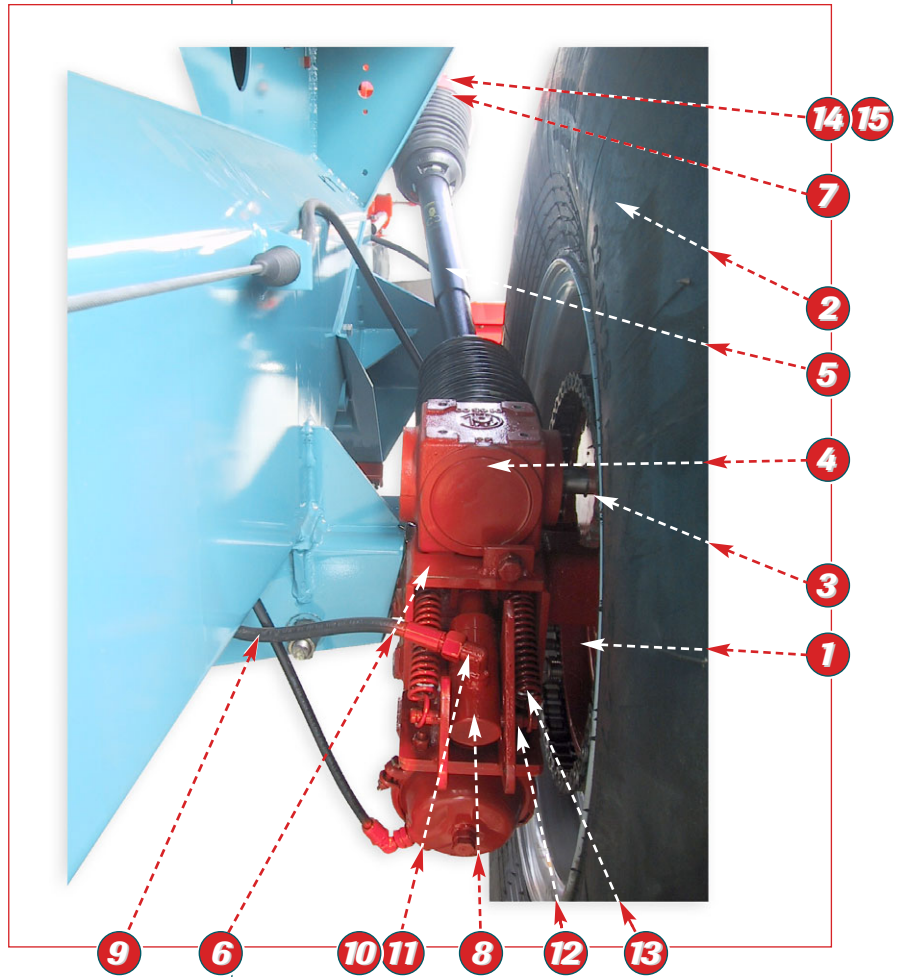


**DPA of the DPA XLT**

REP	DESIGNATION	QTY	REFERENCE
1	CHAMBER WITH CHAIN	1	21000011
	CHAMBER 28 HOLES	1	41010011
	STUD CHAIN 56 LINKS	1	21010010
2	LEFT WHEEL (NB: STANDARD MOUNT) 11.2 R 44	1	57290630
	RIGHT WHEEL (NB: STANDARD MOUNT) 11.2 R 44	1	57290620
	TYRE	2	56550150
	RIM	2	54010120
	AIR CHAMBER	2	51130090
	VALVE	2	59030160
3	PINION	1	56510041
4	REVERSER REDUCER T25	1	57260441
	HOUSING	1	51170130
	RH CONICAL COG ON ENTRY SHAFT	1	57300220
	INPUT SHAFT	1	50050230
	THROUGH SHAFT	1	50050240
	CIRCLIP INT. Ø 72	4	51060140
	SEALING GASKET	2	54000330
	BEARING	2	57310640
	CAP Ø 72	1	50530330
	CAP Ø 100	1	50530340
	KEY	2	60840050
	CIRCLIPS	1	51060060
	BEARING	2	57310550
	LH CONICAL COG ON TRANSVERSAL SHAFT	1	57300230
	BLOCK	1	51010090
5	DPA TRANSMISSION (SEE P. 11-00)	1	58260260
6	CLUTCH SUPPORT	1	37761031
	PARTIALLY THREADED SCREW	1	61110160
	GREASE NIPPLE	1	53020010
7	BORED SPLINED SHAFT Ø 25	1	45250101
8	RAM	1	59000251
9	FLEXIBLE HOSE 700 MM	1	52520020
10	FLOW LIMITER SCREW	1	49030030
11	TAPPED ELBOW FITTING	1	47330020
12	ROD PIN	2	40040710
13	DRAW SPRING	2	57270341
14	GUARD	1	46580061
15	REDUCER 1/15	1	57260401
16	CARCASS	1	51180050
17	PENDULAR FLANGE	1	50590350
18	FILLER CAP*	1	50530300
19	SIDE COVER GV	1	51140220
20	REAR COVER	1	51140230
21	ENDLESS SCREW	1	59010070
22	TANGENT WHEEL	1	57300210
23	HOLLOW SHAFT	1	50050220
24	ENDLESS SCREW BEARING	1	57310260
25	HOLLOW SHAFT BEARING	2	57310420
26	ENDLESS SCREW SEAL	1	54000600
27	HOLLOW SHAFT SEAL	2	54000450
28	KEY	1	60830090
29	OIL LEVEL LIGHT	1	59050070
	EVENT PLUG	1	50530310
	FLANGE FR	1	50590360
30	ENDLESS SCREW BEARING	1	57310610
31	BORED SPLINED SHAFT Ø 24	1	45250151

\* RECOMMENDED OIL: TOTAL CARTER EP 220 (1,4 LITRES)

DPA XLT - EP01 .. 048 → ...





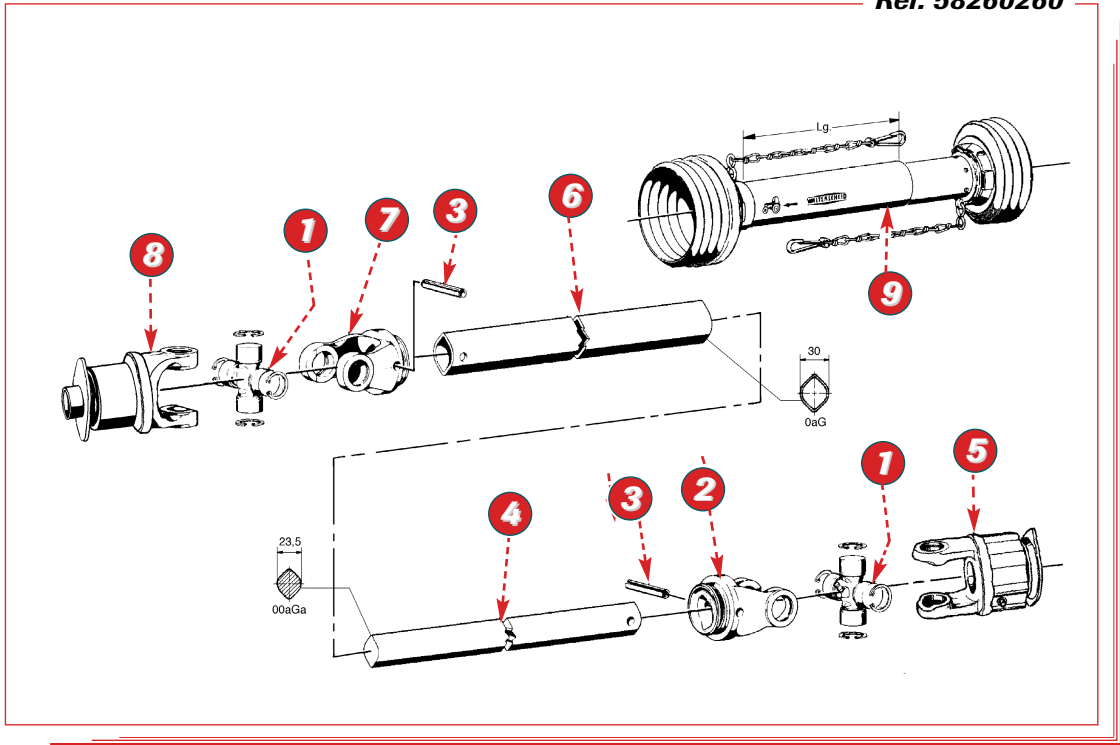
**DPA of the DPA XLT**

REP	DESIGNATION	QTY	REFERENCE
1	CHAMBER WITH CHAIN	1	21000011
	CHAMBER 28 HOLES	1	41010011
	STUD CHAIN 56 LINKS	1	21010010
2	LEFT WHEEL (NB: STANDARD MOUNT) 11.2 R 44	1	57290630
	RIGHT WHEEL (NB: STANDARD MOUNT) 11.2 R 44	1	57290620
	TYRE	2	56550150
	RIM	2	54010120
	AIR CHAMBER	2	51130090
	VALVE	2	59030160
3	PINION	1	56510041
4	REVERSER REDUCER T25	1	57260441
	HOUSING	1	51170130
	RH CONICAL COG ON ENTRY SHAFT	1	57300220
	INPUT SHAFT	1	50050230
	THROUGH SHAFT	1	50050240
	CIRCLIP INT. Ø 72	4	51060140
	SEALING GASKET	2	54000330
	BEARING	2	57310640
	CAP Ø 72	1	50530330
	CAP Ø 100	1	50530340
	KEY	2	60840050
	CIRCLIPS	1	51060060
	BEARING	2	57310550
	LH CONICAL COG ON TRANSVERSAL SHAFT	1	57300230
	BLOCK	1	51010090
5	DPA TRANSMISSION (SEE P. 11-01)	1	58260530
6	CLUTCH SUPPORT	1	37761031
	PARTIALLY THREADED SCREW	1	61110170
	GREASE NIPPLE	1	53020010
7	BORED SPLINED SHAFT Ø 24	1	45250151
8	RAM	1	59000251
9	FLEXIBLE HOSE 700 MM	1	52520020
10	FLOW LIMITER SCREW	1	49030030
11	TAPPED ELBOW FITTING	1	47330020
12	ROD PIN	2	40040710
13	DRAW SPRING	2	57270341
14	SUPPORT GUARD	1	37761711
15	REDUCER 1/15	1	57260401
16	CARCASS	1	51180050
17	PENDULAR FLANGE	1	50590350
18	FILLER CAP*	1	50530300
19	SIDE COVER GV	1	51140220
20	REAR COVER	1	51140230
21	ENDLESS SCREW	1	59010070
22	TANGENT WHEEL	1	57300210
23	HOLLOW SHAFT	1	50050220
24	ENDLESS SCREW BEARING	1	57310260
25	HOLLOW SHAFT BEARING	2	57310420
26	ENDLESS SCREW SEAL	1	54000600
27	HOLLOW SHAFT SEAL	2	54000450
28	KEY	1	60830090
29	OIL LEVEL LIGHT	1	59050070
	EVENT PLUG	1	50530310
	FLANGE FR	1	50590360
30	ENDLESS SCREW BEARING	1	57310610

\* RECOMMENDED OIL: TOTAL CARTER EP 220 (1,4 LITRES)

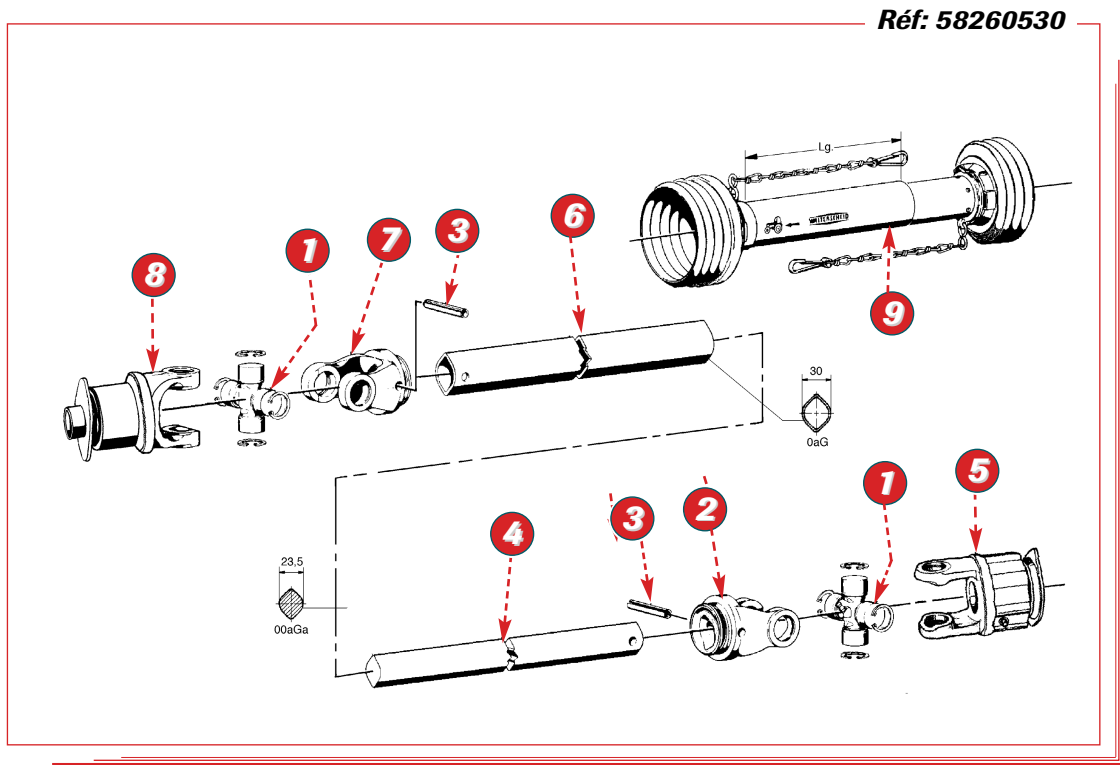
DPA XLT - EP01 .. 048 → ...

**Ref: 58260260**



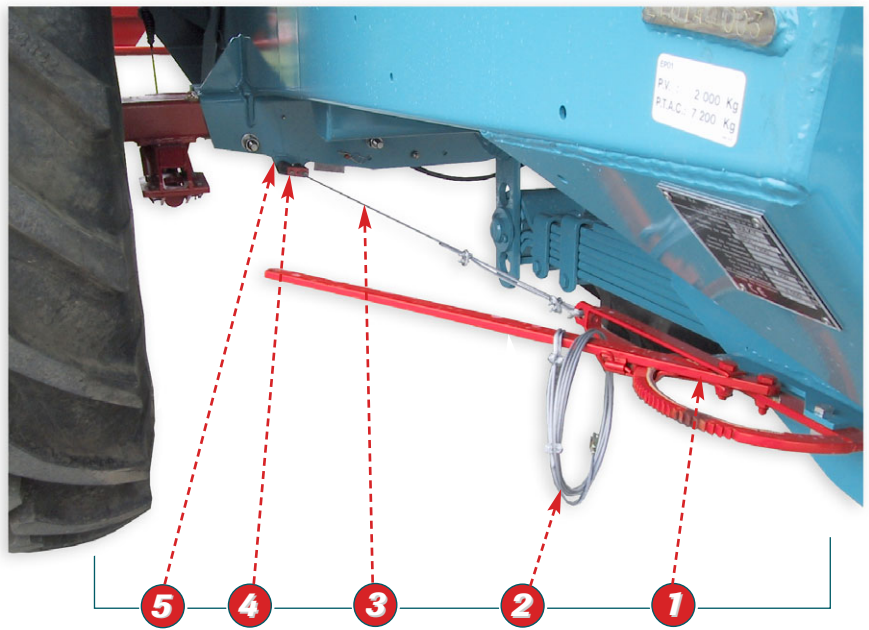
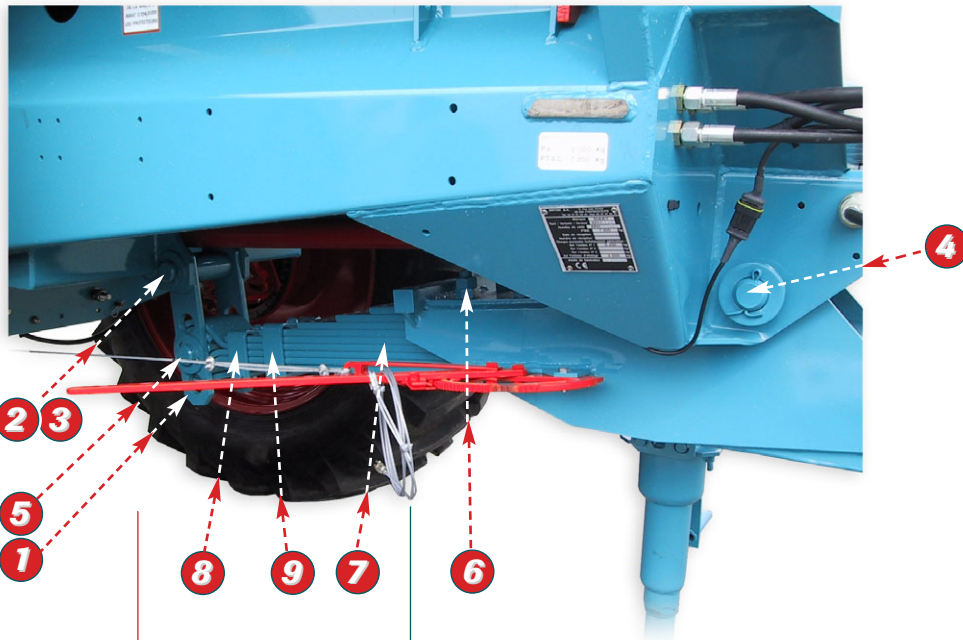
**DPA of the DPA XLT (next)****• DPA TRANSMISSION****W 2100 PROFILE INT./EXT. 00A GA/OAG REF: 58260260**

REP	DESIGNATION	QTY	REFERENCE
	TRANSMISSION W 2100 SC 05 AA 0460 FULL	1	58260260
1	COMPLETE CROSS BRACE 10.01.00	2	51120030
2	THROAT CLAMP 10.48.00	1	55310040
3	PIN 61.04.01	2	
4	PROFILED INT. TUBE 75.06.95 ( 00AGA )	1	71210060
5	TORQUE LIMITER K31B (260 NmE) 55.369.03	1	54770090
6	PROFILED EXT. TUBE 75.13.00 ( 0AG )	1	71210070
7	THROAT CLAMP 10.49.00	1	55310050
8	FREE WHEEL RATCHET F5/1R 56.147.40	1	57290800
9	FULL GUARD SC 05 85.000/550 (TO CUT LENGTH 310)	1	56540160



**DPA of the DPA XLT (next)****• DPA TRANSMISSION****W 2100 PROFILE INT./EXT. 00A GA/OAG REF: 58260530**

REP	DESIGNATION	QTY	REFERENCE
	TRANSMISSION AW 10 SHAFT INTEGRAL GUARD AA 0560 COMPLETE	1	58260530
1	COMPLETE CROSS BRACE (E-KIT) 648.010	2	51120070
2	THROAT CLAMP 420.010223	1	55310330
3	PIN 795.0855	2	
4	PROFILED INT. TUBE 727.235.046	1	58320130
5	TORQUE LIMITER (260 NmE) 570.010031138.260	1	54770090
6	PROFILED EXT. TUBE 720.303	1	58320140
7	THROAT CLAMP 420.010230	1	55310340
8	FREE WHEEL RATCHET 550/010005325	1	57290800
9	FULL GUARD 993.00398	1	56540310



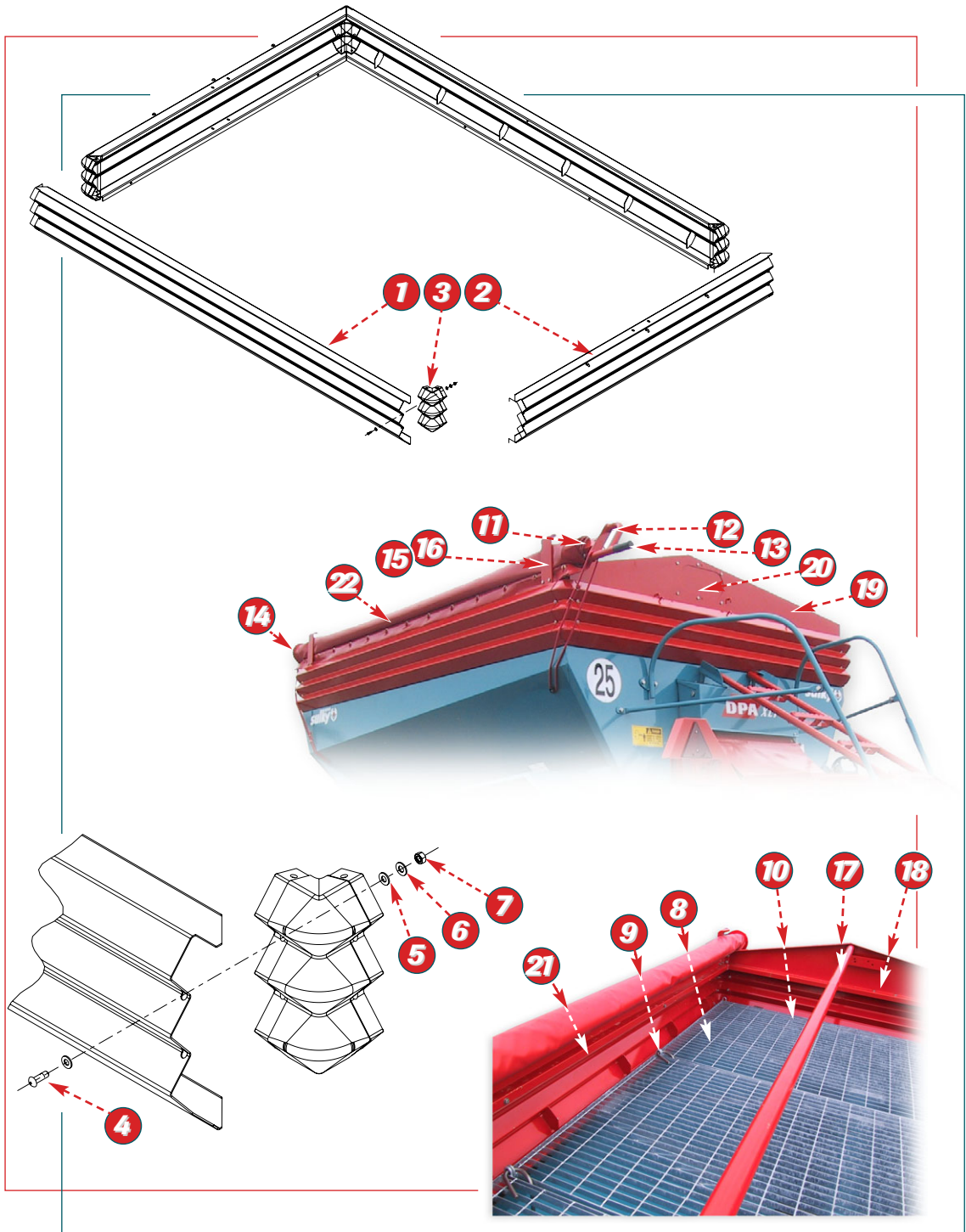
DPA XLT - EP01

**Front suspension of the DPA XLT**

REP	DESIGNATION	QTY	REFERENCE
1	ADJUSTING FLANGE	2	41070421
2	GUIDE PIN	1	40040510
3	SPACER	1	42000031
4	DRAWBAR PIN	1	30010211
	WASHER Ø 45	5	60640040
	CYL PIN SPLIT	5	61890110
5	SPRING PIN	1	40040260
6	FLANGE SPRING	3	50590021
7	DRAWBAR SPRING	1	57270111
	RING	1	50550020
	BLADE M	1	54780010
	BLADE C/L1	1	54780020
	BLADE C/L2	1	54780030
	2ND BLADE	1	54780040
	3RD BLADE	1	54780050
	4TH BLADE	1	54780060
	5TH BLADE	1	54780070
	6TH BLADE	1	54780080
	7TH BLADE	1	54780090
8	SMAL COULTER CLAMP	1	52060010
9	LARGE COULTER CLAMP	1	52060020
	SPRING BOLT	1	52070020
	GREASE NIPPLE	1	53020030

**Manual parking brake control of the DPA XLT**

REP	DESIGNATION	QTY	REFERENCE
1	PARKING BRAKE LEVER	1	34750141
2	SECURITY CABLE Ø 3,2	1	51000020
3	FLEXIBLE CABLE Ø 4,7 WITH CRIMP STOP	3	51000010
	HEART SHAPED THIMBLE Ø 5	4	51090010
	CABLE TIGHTENER Ø 5	6	57750010
	CABLE TIGHTENER Ø 3	2	57750050
4	CABLE FASTENER	1	42500381
	SHEATH	1	53000030
	SHEATH STOP	4	50020010
5	BELLOWS SEAL	4	57760020



DPA XLT - EP01



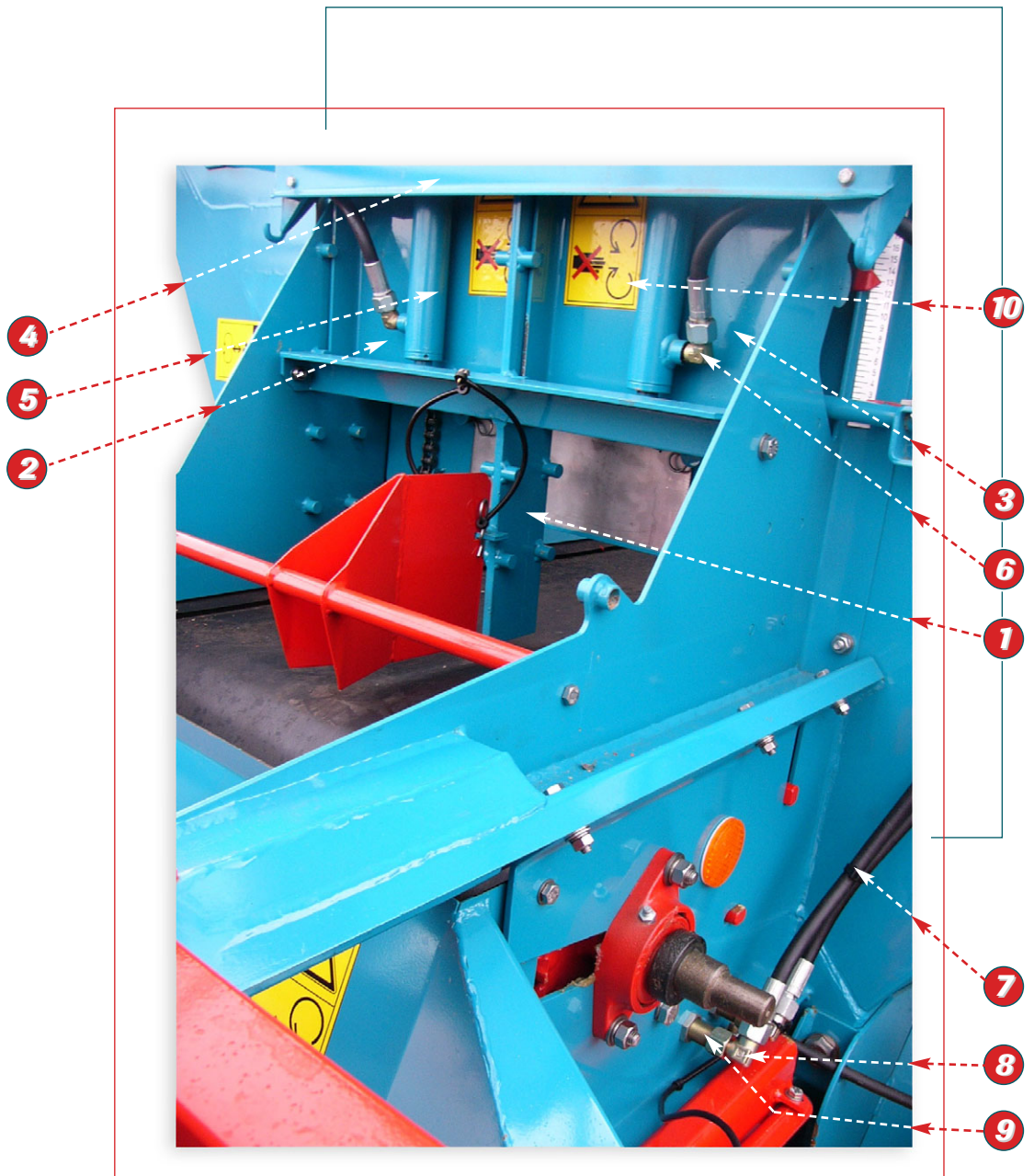
**Hopper extension - Anti-clod mesh - Unwinding cover**

REP	DESIGNATION	QTY	REFERENCE
	HOPPER EXTENTIONS (SET)		
1	LONG HOPPER EXTENSION XT SO	2	919157
2	SHORT HOPPER EXTENSION XT SO	2	919156
3	TRIPLE CORNER HOPPER EXTENSION	4	973046
4	SCREW BHC 8 x 25 STAINLESS STEEL A2 70	16	555825
5	NYLON WASHER PA66 8	16	573008
6	WASHER M8 N STAINLESS STEEL A2 70	16	573808
7	NUT H8 STAINLESS STEEL A2 70	16	571258
	ANTI-CLOD MESH (SET) (MODEL 03)		23000050
8	MESH 2000 x 980	3	33010280
9	KEY	4	41160010
10	ANTI-LIFTING PROTECTION	4	46550620
	FULL UNWINDING COVER (MODEL 03)		20520342
11	UNWINDING TUBE	1	48260641
12	MANOEUVRING HANDLE	1	36560051
13	STUB	1	52110030
14	TAIL WASHER	1	37300021
15	STOP	2	40540181
16	FLAT SPACER	2	46540571
17	TUBE	1	.03 0201
18	FRONT PANEL	1	36580491
19	REAR PANEL	1	36580481
20	OBTURATOR PLATE	1	38270461
	RIGHT SIDE PANEL	1	36580561
21	LEFT SIDE PANEL	1	36580571
22	COVER WITH SANDOW (RED)	1	50580410

DPA XLT - EP01

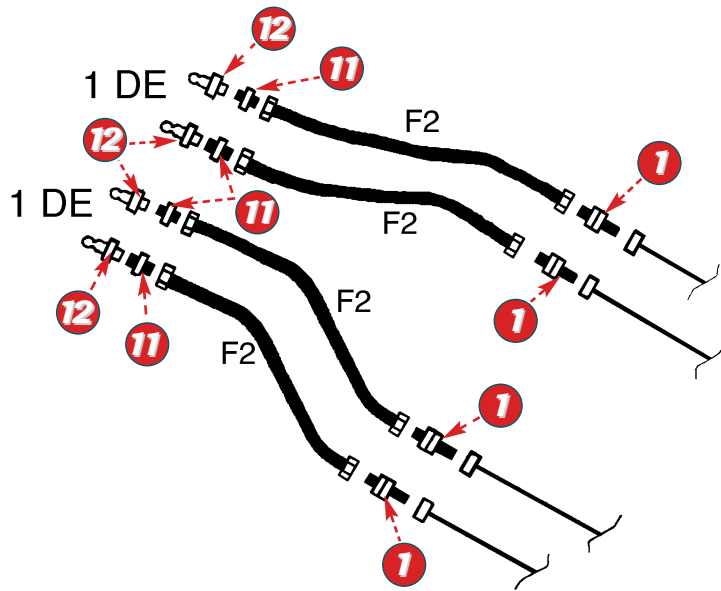


DPA XLT - EP01



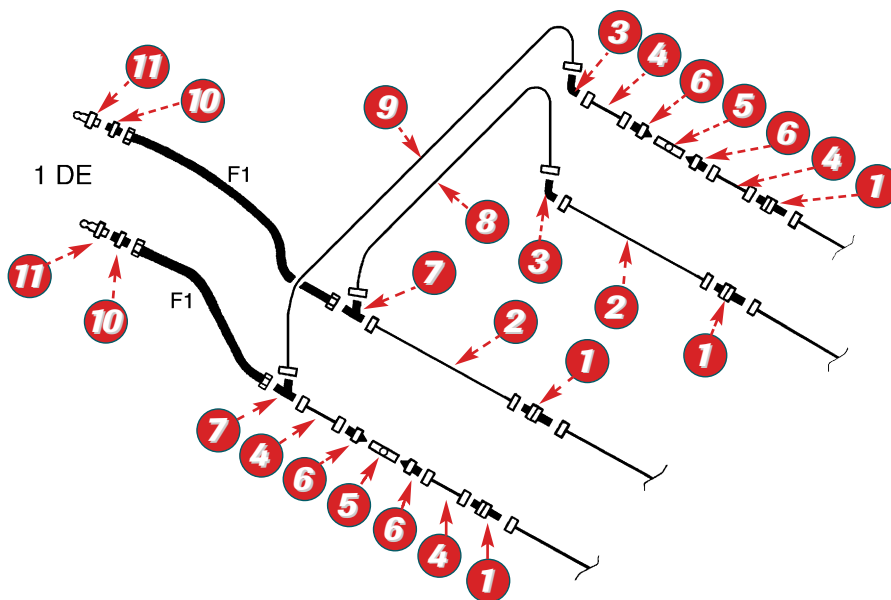
**Hydraulic controlled double shutter**

REP	DESIGNATION	QTY	REFERENCE	OBSERVATION
	HYDRAULIC CONTROLLED DOUBLE SHUTTER		28310172	
1	SHUTTER SLIDE RAIL	1	33030042	
2	LEFT SHUTTER	1	38290222	
3	RIGHT SHUTTER	1	38290212	
4	RAM PIN	2	40040591	
	BETA PIN Ø 3	2	61770010	
5	RAM D.E.	2	59000372	
	SCREW TH M 10 x 50 STAINLESS STEEL	2	61060070	
	LOCK NUT H M10 STAINLESS STEEL	2	61580060	
	FLAT WASHER Ø 10 STAINLESS STEEL	4	61610060	
	FLAT WASHER Ø 16 STAINLESS STEEL	4	61610090	
	TAPERED MALE UNION 13 x 8 . 13N	2	57250300	
6	TAPERED MALE ELBOW 13 x 8 . 13N	2	57250200	
7	FLEXIBLE HOSE 1100 MM - S8 ETG13 / S8 ETG13	4	52520170	
8	ADAPTABLE ELBOW 13V	6	57250640	
9	DOUBLE BULKHEAD UNION 13 CL 20N	4	57250160	
10	"CRUSHING RISK" STICKER	2	50060720	
	FRONT OF THE MACHINE COMPONENTS :			
	FLEXIBLE HOSE 2200 MM - S8 ETG13 / S8 ETG13	4	52520110	} CUT, BENDING } AND CRIMPING } (TO BE DEFINED WHEN MOUNTING FOLLOWING THE OPTION)
	MALE HALF VALVE CMB 1/2 G	4	59030040	
	MALE UNION 13 x 15 . 21N	4	57250180	
	COPPER SEAL JC21	4	54000370	
	HYDRAULIC PIPE 8/13 (M)	12	70930250	
	OLIVE END FOR CONNECTION	8	56250010	
	CONNECTION NUT	8	52010090	
	COLLAR	4	51070040	
	HYDRAULIC CONTROLLED DOUBLE SHUTTER, WITH SENSORS (COMPONENTS IDENTICAL TO THE ABOVE EXCEPT FOR RAM D.E. REP 6)		28310182	
	RAM D.E. WITH SENSORS	2	59000342	



**A**

**NB:** HYDRAULIC CIRCUIT A:  
IF THE TRACTOR HAS TWO DOUBLE SPOOL VALVES (STANDARD)



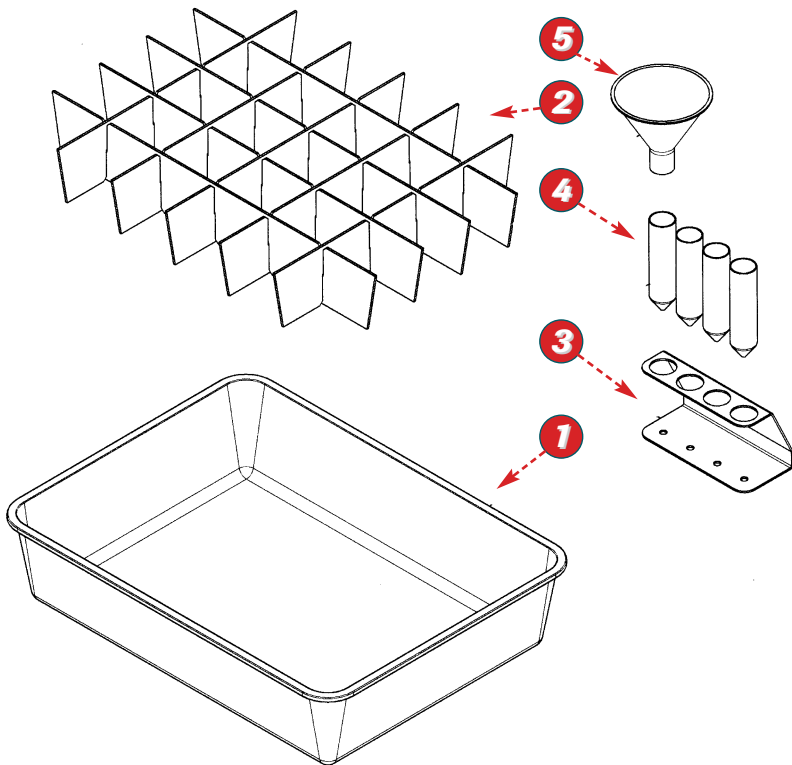
**B**

**NB:** HYDRAULIC CIRCUIT B:  
IF THE TRACTOR HAS ONLY ONE DOUBLE ACTION SPOOL VALVES (OPTION)

DPA XLT - EP01

**Hydraulic controlled double shutter (next)**

REP	DESIGNATION	QTY	REFERENCE	OBSERVATION
	<b>HYDRAULIC CIRCUIT A</b>			
1	DOUBLE BULKHEAD UNION 13 CL 20N	4	57250160	
11	MALE UNION 13 X 15 . 21N	4	57250180	
12	MALE HALF VALVE CMB 1/2G	4	59030040	
F2	FLEXIBLE HOSE 2200 MM - S8 ETG13 / S8 ETG13	4	52520110	
	<b>HYDRAULIC CIRCUIT B</b>			
1	DOUBLE BULKHEAD UNION 13 CL 20N	4	57250160	
2	HYDRAULIC PIPE 8/13	2		(TO BE DEFINED WHEN MOUNTING)
3	ELBOW 13N	2	57250040	
4	HYDRAULIC PIPE 8/13	4		(TO BE DEFINED WHEN MOUNTING)
5	VALVE BKH - R3/8	2	59060040	
6	TAPERED MALE UNION 13 X 12 . 17	4	57250100	
7	T-PIECE 13N	2	57250060	
8	HYDRAULIC PIPE 8/13	1		(TO BE DEFINED WHEN MOUNTING)
9	HYDRAULIC PIPE 8/13	1		(TO BE DEFINED WHEN MOUNTING)
10	MALE UNION 13 X 15 . 21N	2	57250180	
11	MALE HALF VALVE CMB 1/2G	2	59030040	
F1	FLEXIBLE HOSE 2200 MM - S8 ETG13 / S8 ETG13	2	52520110	



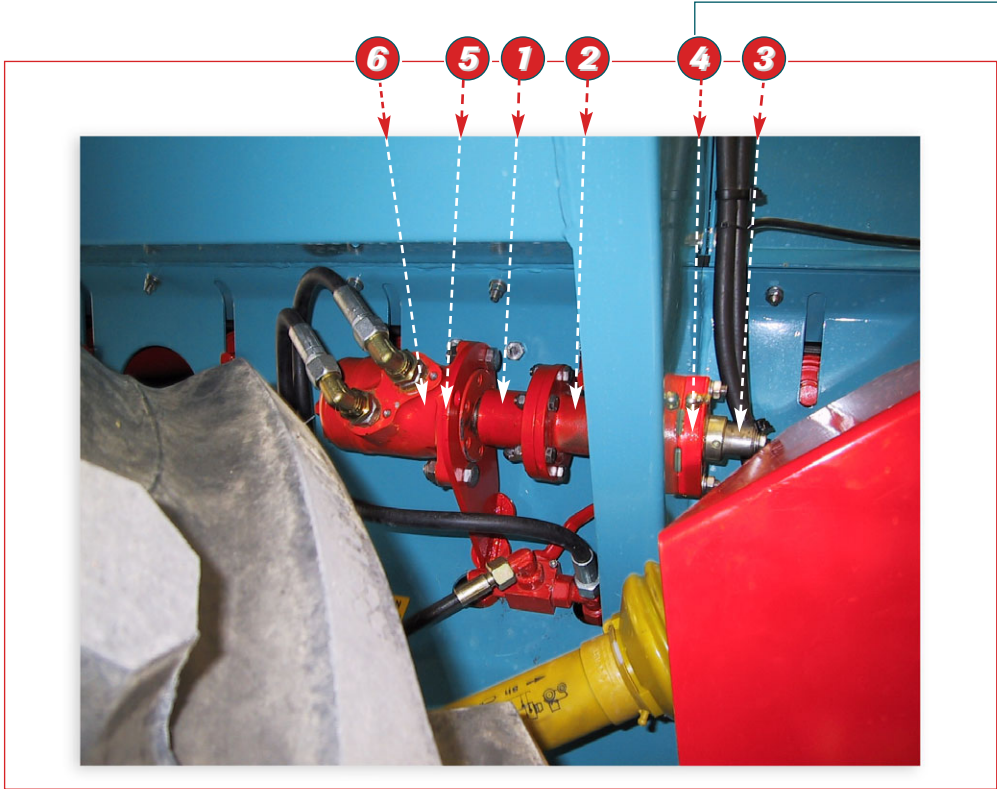
DPA XLT - EP01

***Dose calibration kit***

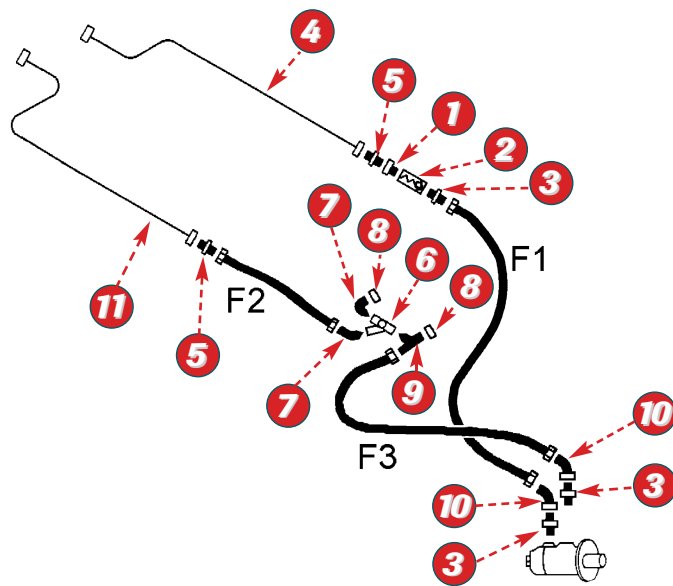
REP	DESIGNATION	QTY	REFERENCE	OBSERVATION
	DOSE CALIBRATION KIT		24500691	
1	BUCKETS SUPPORT	1	37761441	
2	FASTENER	2	32510371	
3	TIGHTENING PLATE	2	36570041	
4	ROUND STUB	2	52110100	
5	STAR BUTTON	2	50520050	
6	RECOVERY BASKET	2	56730010	
7	SUSPENDED SCALES	1	56620230	(OPTION)
	SCREW CHC M8 x 50 STAINLESS STEEL	2	61220070	
	LOCK NUT H M8 STAINLESS STEEL	2	61580050	
	SCREW TH M6 x 15 STAINLESS STEEL	4	61040120	
	GROWER WASHER Ø6 STAINLESS STEEL	4	61620040	
	NUT H M6 STAINLESS STEEL	4	61550040	
8	SPACER	2	42000271	

***Covering control kit***

REP	DESIGNATION	QTY	REFERENCE
	COVERING CONTROL KIT		
1	TRAY	4	793010
2	CROSS BRACE	4	985333
3	TEST SPECIMEN SUPPORT	1	904910
4	TEST SPECIMEN	4	793012
5	FUNNEL	1	793011



*The tractor must supply a flow rate of 50 l/minute max at 150 bars max.*



DPA XLT - EP01



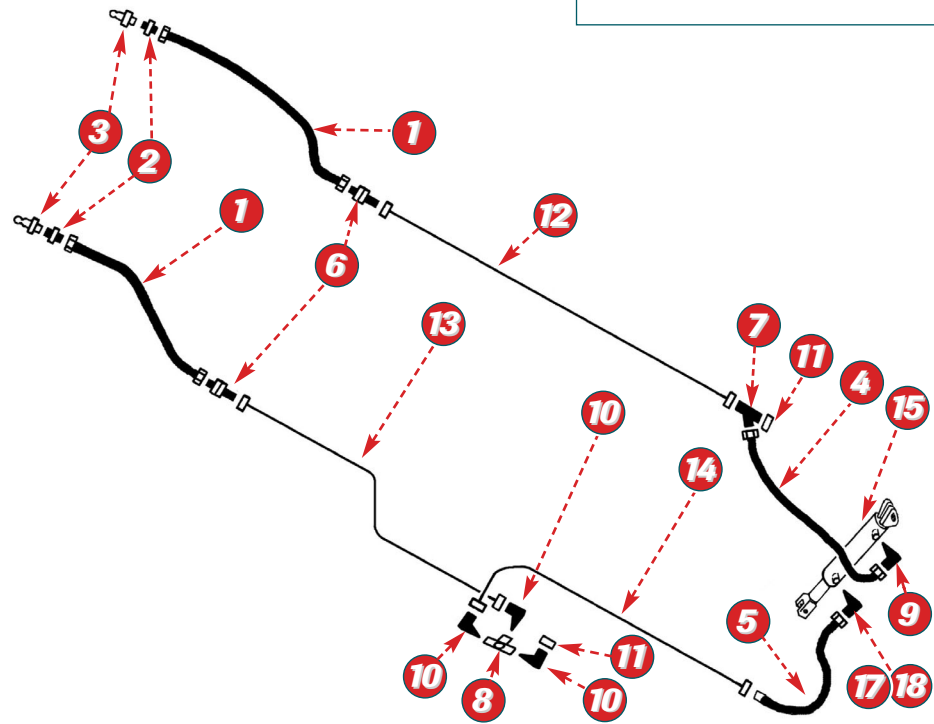
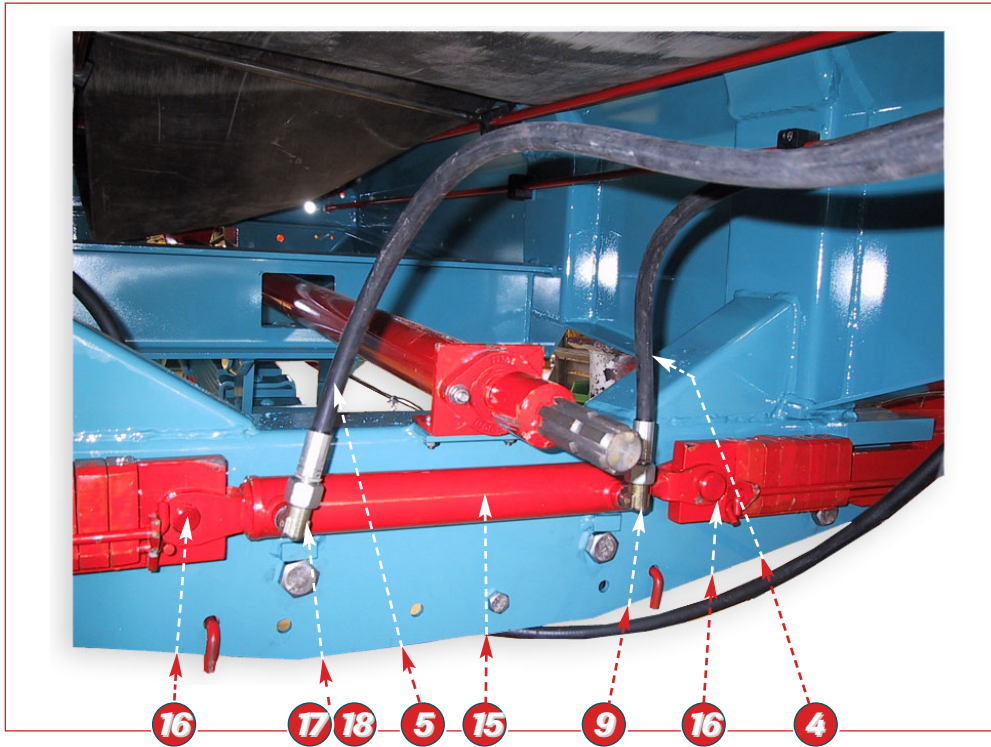
**Hydraulic control for emptying when stopped**

REP	DESIGNATION	QTY	REFERENCE
	HYDRAULIC CONTROL FOR EMPTYING WHEN STOPPED		21020321
1	FLANGE COUPLING	1	45250021
2	QUICK LOCKING COUPLING	1	55260041
	SCREW TH M8 x 30 STAINLESS STEEL	6	61050040
	LOCK NUT H M8 STAINLESS STEEL	6	61580050
3	SHAFT SUPPORT	1	40020370
4	BEARING	2	56500171
	SCREW TH M8 x 55 STAINLESS STEEL	2	61050090
	NUT H M8 STAINLESS STEEL	2	61550050
	FLAT WASHER Ø 8 STAINLESS STEEL	4	61610050
	GROWER WASHER Ø 8 STAINLESS STEEL	2	61620050
5	FASTENER	1	32510381
6	MOTOR 100 CM3	1	55280031
	FRONT OF THE MACHINE COMPONENTS :		
	FLEXIBLE HOSE 2200 MM - S8 ETG 13 / S8 ETG 13	2	52520110
	MALE HALF VALVE CMB 1/2 G	2	59030040
	MALE UNION 13 x 15 21 N	2	57250180
	COPPER SEAL JC 21	2	54000370

**Hydraulic circuit for the hydraulic control for emptying when stopped**

REP	DESIGNATION	QTY	REFERENCE	OBSERVATION
1	ADAPTATOR CONNECTION 13 x 15.21 N	1	57250860	
2	CHECK VALVE	1	51270010	
3	MALE UNION 13 x 15.21 N	3	57250180	
	COPPER SEAL JC 21	3	54000370	
4	HYDRAULIC PIPE 8/13	1		(TO BE DEFINED WHEN MOUNTING)
5	UNION UAG 13 N	2	57250390	
6	3 WAY CONTROL VALVE VBS 3/8 3 VL	1	59060100	
7	TAPERED MALE ELBOW 13 x 12 17 N	2	57250280	
8	OBTURATOR FITTING 13	2	57250900	
9	TAPERED MALE T-PIECE 13 x 12 17 N	1	57251080	
10	ADAPTABLE ELBOW 13 V	2	57250640	
11	HYDRAULIC PIPE 8/13	1		(TO BE DEFINED WHEN MOUNTING)
F1	FLEXIBLE HOSE 2200 MM - S8 ETG 13 / S8 ETG 13	1	52520110	
F2	FLEXIBLE HOSE 850 MM - S8 ETG 13 / S8 ETG 13	1	52520260	
F3	FLEXIBLE HOSE 700 MM - S8 ETG 13 / S8 ETG 13	1	52520100	

DPA XLT - EP01

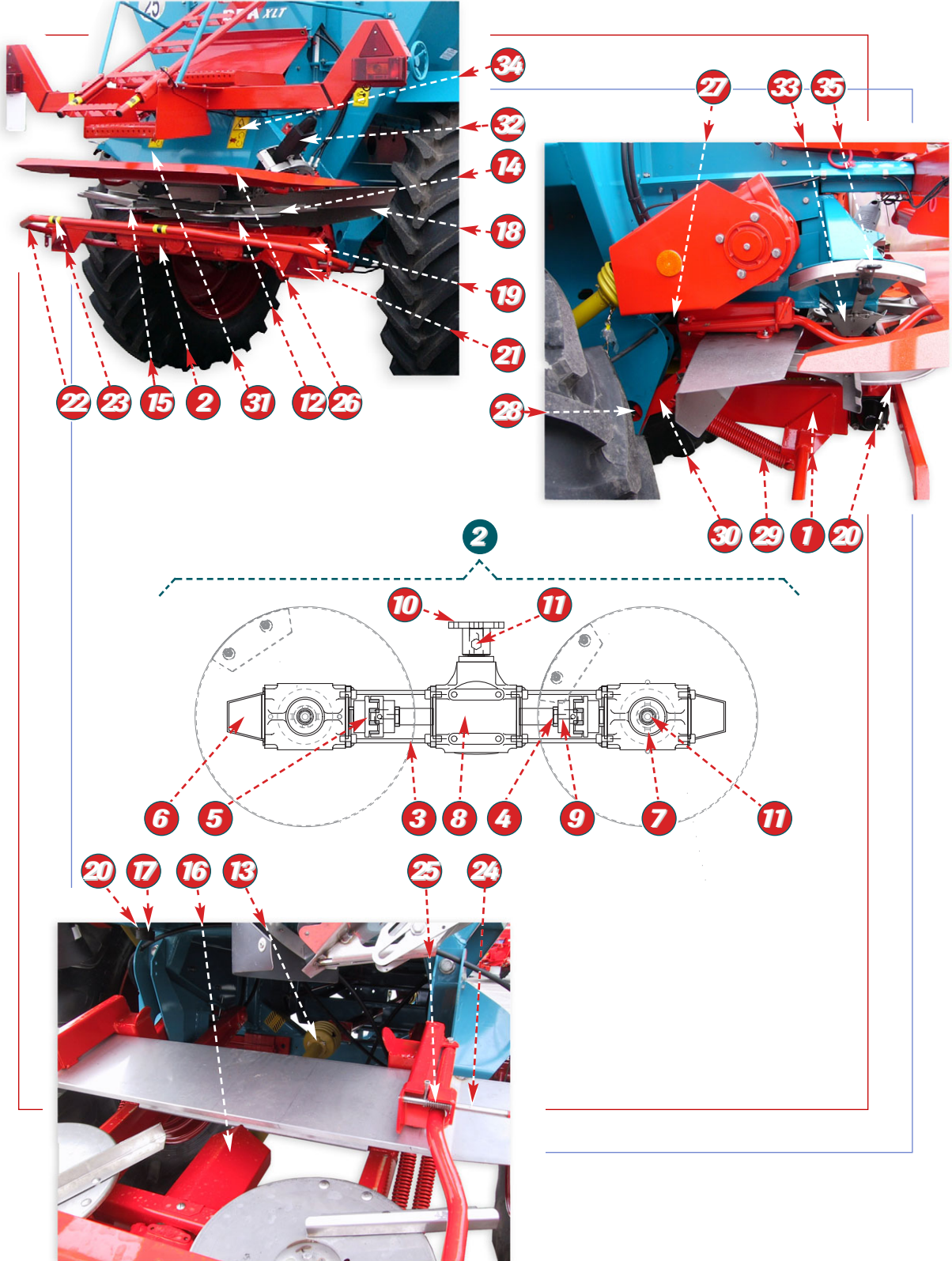


DPA XLT - EP01

**Hydraulic control for variable width**

REP	DESIGNATION	QTY	REFERENCE
	HYDRAULIC CONTROL FOR VARIABLE WIDTH		21020611
1	FLEXIBLE HOSE 2200 MM - S8 ETG 13 / S8 ETG 13	2	52520110
2	MALE UNION 13 X 15 21 N	2	57250180
	COPPER SEAL JC 21	2	54000370
3	MALE HALF VALVE CMB 1/2 G	2	59030040
4	FLEXIBLE HOSE 700 MM - S8 ETG 13 / S8 ETG 13	1	52520100
5	FLEXIBLE HOSE 700 MM - S8 ETG 13 / S8 EFG 13	1	52520020
6	DOUBLE BULKHEAD UNION 13CL 20 N	2	57250160
7	T-PIECE 13 N	1	57250060
8	3 WAY CONTROL VALVE VBS 1/2 3VL	1	59060090
9	TAPERED MALE ELBOW 13 X 8 13 N	1	57250200
10	TAPERED MALE ELBOW 13 X 15 21 N	3	57250210
11	OBTURATOR FITTING 13	2	57250900
12	HYDRAULIC PIPE FOR VARIABLE WIDTH (RIGHT SIDE)	1	28260341
13	VALVE HYDRAULIC PIPE	1	28260361
14	HYDRAULIC PIPE FOR VARIABLE WIDTH (LEFT SIDE)	1	28260351
15	RAM D.E.	1	59000491
16	RAM PIN	2	40040721
17	TAPPED ELBOW	1	47330020
18	FLOW LIMITER SCREW	1	49030030

**DPX TRIBORD SYSTEM - DOUBLE TRAYS**



DPA XLT - EP01

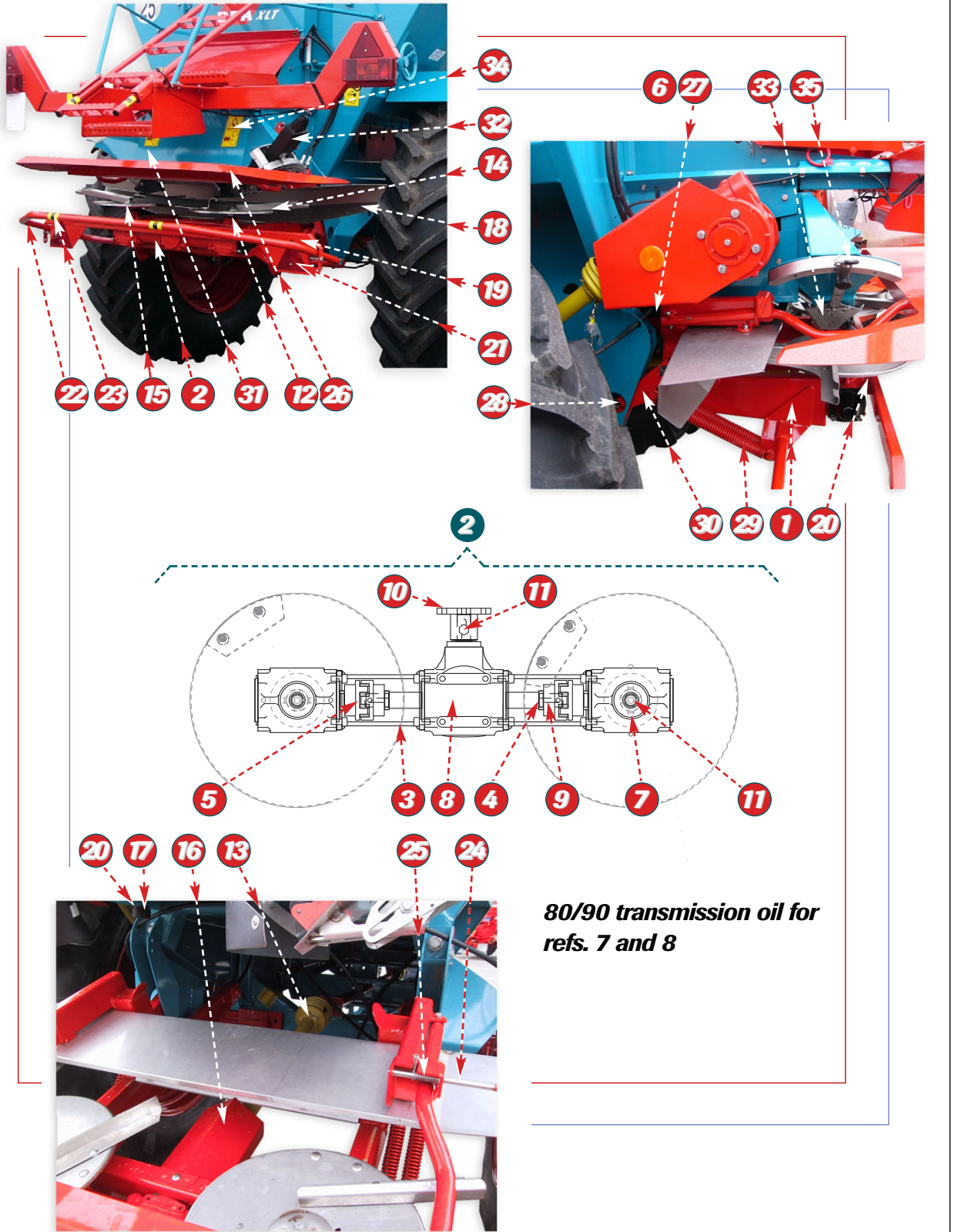
**DPX TRIBORD system - Double trays**

REP	DESIGNATION	QTY	REFERENCE
	ESPANDISC 960 DPX 28-36 HR TRIBORD		12020182
1	SHAFT	1	30540091
2	CENTRIFUGAL BLOCK	1	20530091
3	SECURING CLAMP CASING	2	41130011
4	SPACER	4	42000140
5	ELASTIC COUPLING C28	2	50150030
6	GUARDS FOR RA 120	2	56540120
7	REDUCER RA 120, OUTPUT 1/1,615	2	57260041
8	REDUCER RA 120, OUTPUT 1/1	1	57260231
9	KEY 8 x 7 x 28 WITH FLAT ENDS	4	60830060
10	FLANGE COUPLING	1	45250021
11	KEY 8 x 7 x 40 WITH FLAT ENDS	3	60830080
12	RETURN SEAL	2	901216
13	MALE 1/2 TRANSMISSION WH 2100 (VOIR P. <b>21</b> -00)	1	58260040
14	RIGHT PLATE (VOIR P. <b>20</b> -00)	1	
15	LEFT PLATE (VOIR P. <b>20</b> -00)	1	
16	GUARD	1	36520101
17	CONTACT PLATE	2	56600030
18	SHIELD PLATE	1	38270470
19	GUARD STOP	1	30530131
20	WASHER	4	47250011
21	WARNING TRIANGLE	2	58270010
22	MANOEUVRING GUARD	1	36520091
23	"HANDLING" STICKER	2	50061440
24	LOCKING PIN	2	30010311
25	COMPRESSION SPRING	4	57270270
26	HOOD	1	31080561
27	ROUND STUB WITH BLADES	2	52110150
28	LOWER HINGE FLANGE	2	41070471
	GREASE NIPPLE ELBOW AT 90° M8 x 1,25	2	53020050
29	DRAW SPRING	4	57270411
30	RETURN FLANGE	2	31030211
	STRAIGHT GREASE NIPPLE M8 x 1,25	2	53020010
31	DISTRIBUTION BOX	1	30510382
32	RIGHT EDGE SUB ASSEMBLY WITH TRIBORD ELECTRIC CONTROLS (WITHOUT ANTI-BOUNCE DEFLECTOR) (SEE P. <b>22</b> -00)	1	
33	FULL LEFT CHUTE (WITHOUT GRADUATED SECTOR) (SEE P. <b>23</b> -00)	1	
34	"ROTATING PART" STICKER	2	50061560
35	SPOUT CAP	1	415716

DPA XLT - EP01

**DPX TRIBORD SYSTEM - DOUBLE TRAYS**

DPA XLT - EP01 .. 038 → ...



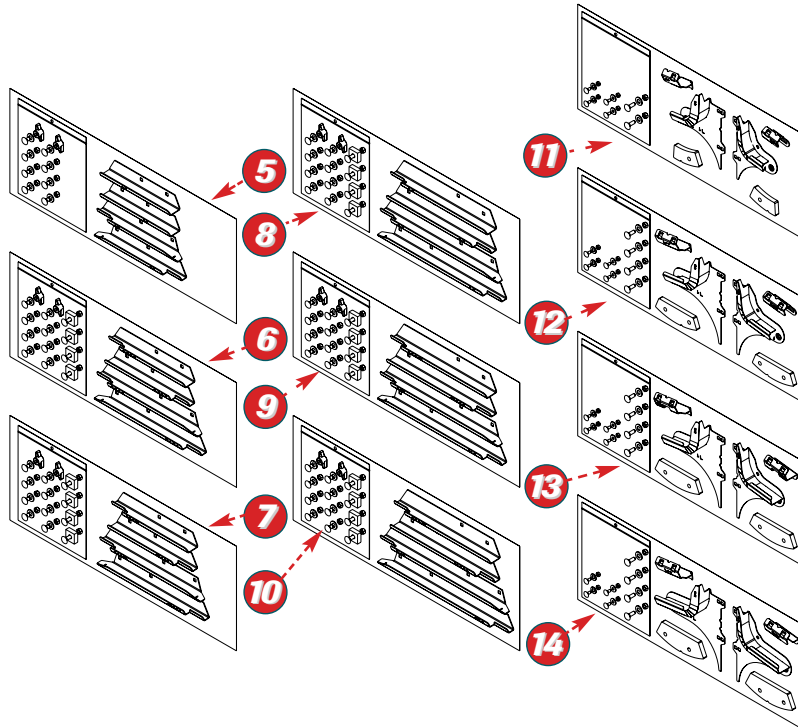
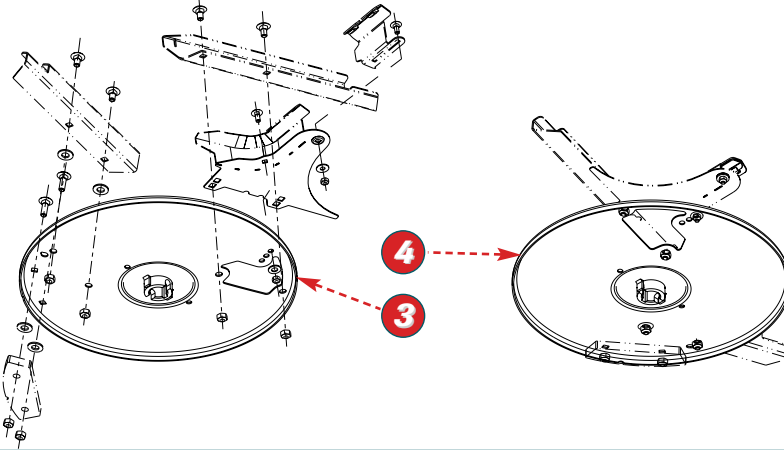
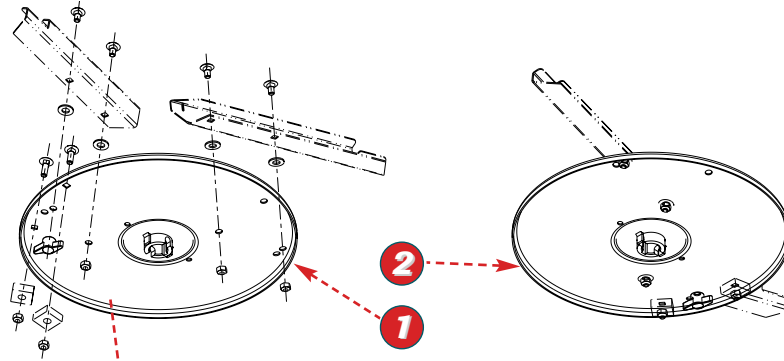
# DPX TRIBORD SYSTEM - DOUBLE TRAYS

## DPX TRIBORD system - Double trays

REP	DESIGNATION	QTY	REFERENCE
	ESPANDISC 960 DPX 28-36 HR TRIBORD		12020182
1	SHAFT	1	30540091
	CIRCULAR LAMINATED COVERING PLATE	2	52110120
2	CENTRIFUGAL BLOCK	1	20530091
3	SECURING CLAMP CASING	2	41130011
4	SPACER	4	42000140
5	COMPLETE C28 FLEXIBLE COUPLING	2	50150030
	FLEXIBLE COUPLING COMPONENT	2	52020050
6	RECTANGULAR LAMINATED COVERING PLATE	2	52110090
7	REDUCER RA120, OUTPUT 1/1,615 INVERSER - 2 SHAFTS	2	57260451
	CAP Ø 90	1	50530350
	CAP Ø 55	1	50530370
	SEAL	2	54000860
	BEARING	4	57310170
	EXT. CIRCLIPS Ø 30	1	51060080
	INT. CIRCLIPS Ø 55	1	51060150
8	REDUCER RA 120, OUTPUT 1/1	1	57260231
	CAP Ø 90	1	50530350
	INPUT SHAFT SEAL	1	54000870
	THROUGH SHAFT SEAL	2	54000860
	BEARING	4	57310170
	EXT. CIRCLIPS Ø 30	1	51060080
	INT. CIRCLIPS Ø 55	1	51060150
9	KEY 8 x 7 x 28 WITH FLAT ENDS	4	60830060
10	FLANGE COUPLING	1	45250021
11	KEY 8 x 7 x 40 WITH FLAT ENDS	3	60830080
12	RETURN SEAL	2	901216
13	MALE 1/2 TRANSMISSION WH 2100 (VOIR P. 21-00)	1	58260040
14	RIGHT PLATE (VOIR P. 20-00)	1	
15	LEFT PLATE (VOIR P. 20-00)	1	
16	GUARD	1	36520101
17	CONTACT PLATE	2	56600030
18	SHIELD PLATE	1	38270470
19	GUARD STOP	1	30530131
20	WASHER	4	47250011
21	WARNING TRIANGLE	2	58270010
22	MANOEUVRING GUARD	1	36520091
23	"HANDLING" STICKER	2	50061440
24	LOCKING PIN	2	30010311
25	COMPRESSION SPRING	4	57270270
26	HOOD	1	31080561
27	ROUND STUB WITH BLADES	2	52110150
28	LOWER HINGE FLANGE	2	41070471
	GREASE NIPPLE ELBOW AT 90° M8 x 1,25	2	53020050
29	DRAW SPRING	4	57270411
30	RETURN FLANGE	2	31030211
	STRAIGHT GREASE NIPPLE M8 x 1,25	2	53020010
31	DISTRIBUTION BOX	1	30510382
32	RIGHT EDGE SUB ASSEMBLY WITH TRIBORD ELECTRIC CONTROLS (WITHOUT ANTI-BOUNCE DEFLECTOR) (SEE P. 22-00)	1	
33	FULL LEFT CHUTE (WITHOUT GRADUATED SECTOR) (SEE P. 23-00)	1	
34	"ROTATING PART" STICKER	2	50061560
35	SPOUT CAP	1	415716

DPA XLT - EP01 .. 038 → ...

# DPX TRIBORD SYSTEM - DOUBLE TRAYS

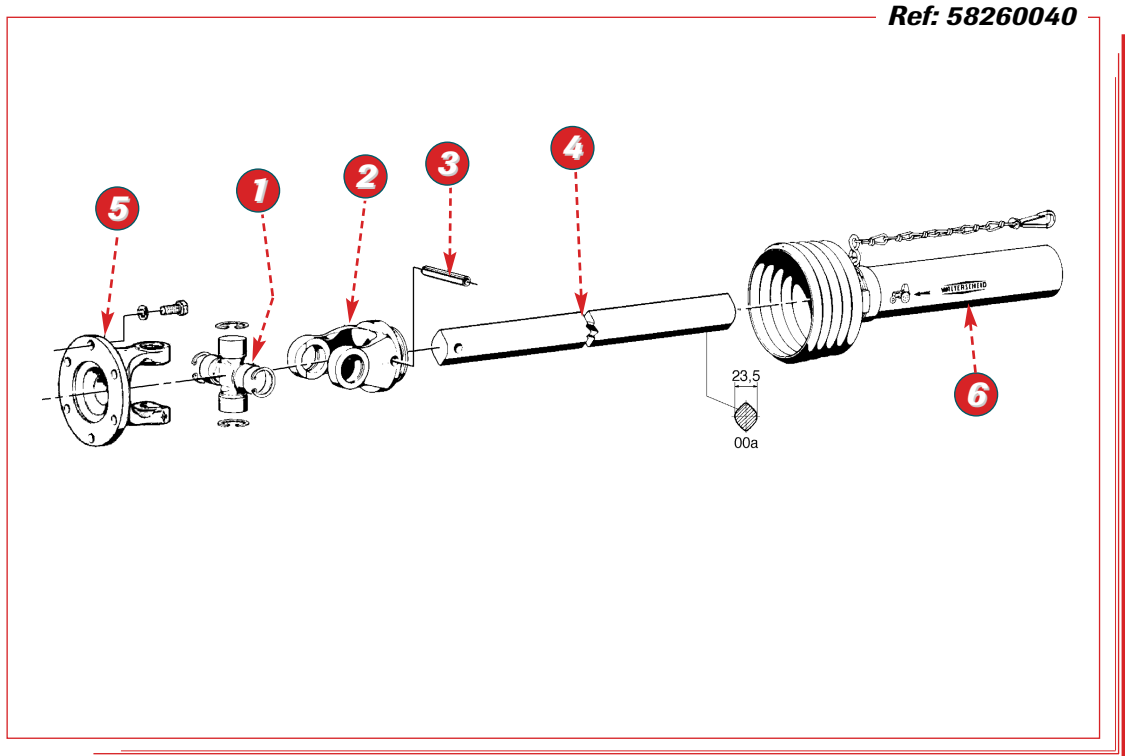


DPA XLT - EP01



**DPX TRIBORD system - Double trays (next)**

REP	DESIGNATION	QTY	REFERENCE
1	PLATE G DPAXLT SO		914136
2	PLATE D DPAXLT SO		914137
3	EDGE PLATE G DPAXLT SO		914168
4	EDGE PLATE D DPAXLT SO		914169
5	SET OF BLADES KIT 12-18 AS		209820
6	SET OF BLADES KIT 18-24-28 AS		209830
7	SET OF BLADES KIT 18-24-28 HR AS		209915
8	SET OF BLADES KIT 28-36 AS		209840
9	SET OF BLADES KIT 28-36 HR AS		209905
10	SET OF BLADES KIT 36-44 HR AS		209920
11	SET OF BLADES KIT TRIB 12-18 AS		911009
12	SET OF BLADES KIT TRIB 18-24-28 AS		911010
13	SET OF BLADES KIT TRIB 28-36 AS		911011
14	SET OF BLADES KIT TRIB 36-44 HR AS		911012



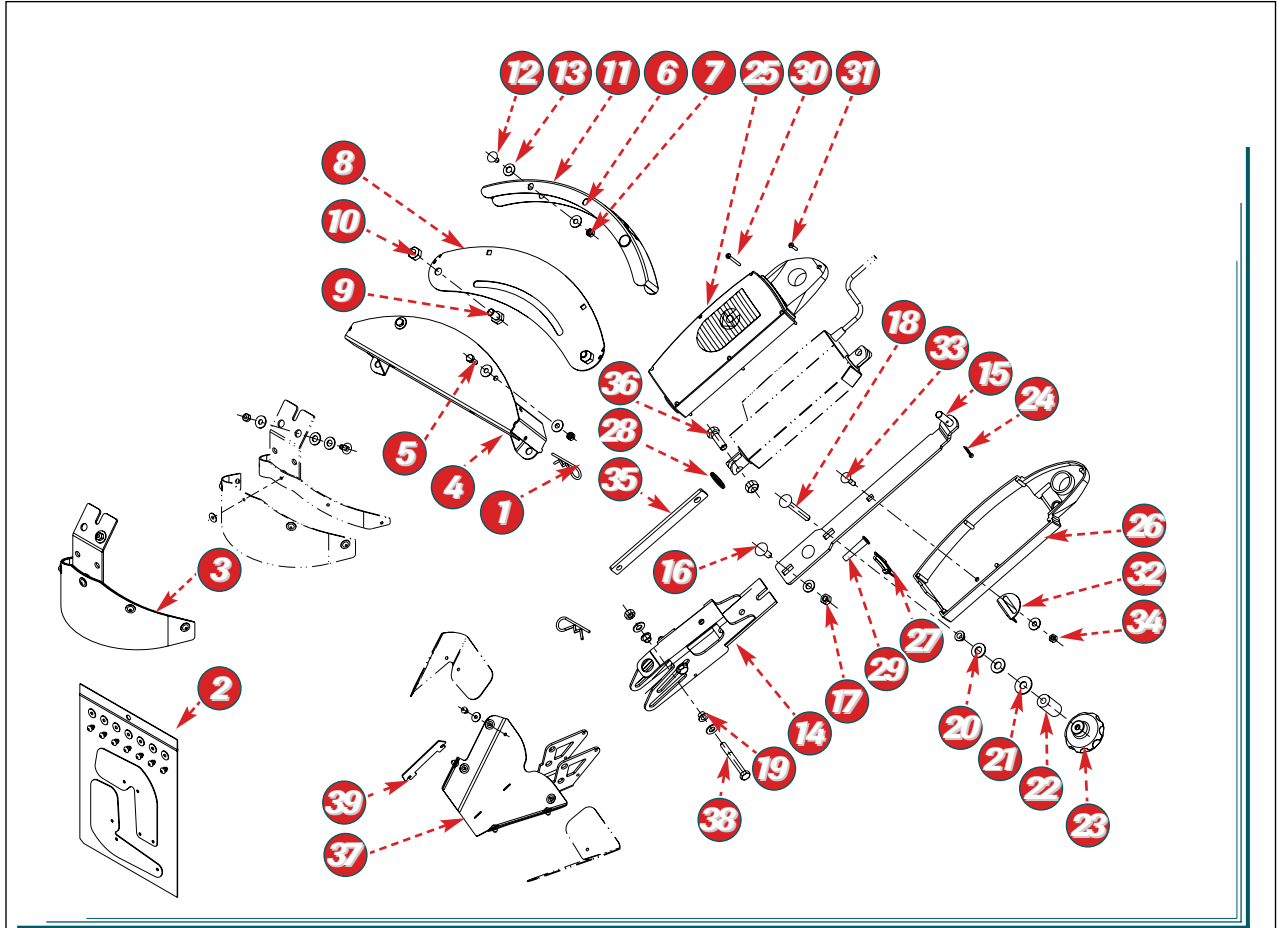
**DPX TRIBORD system - Double trays (next)**

**1/2 Transmission spreading system**

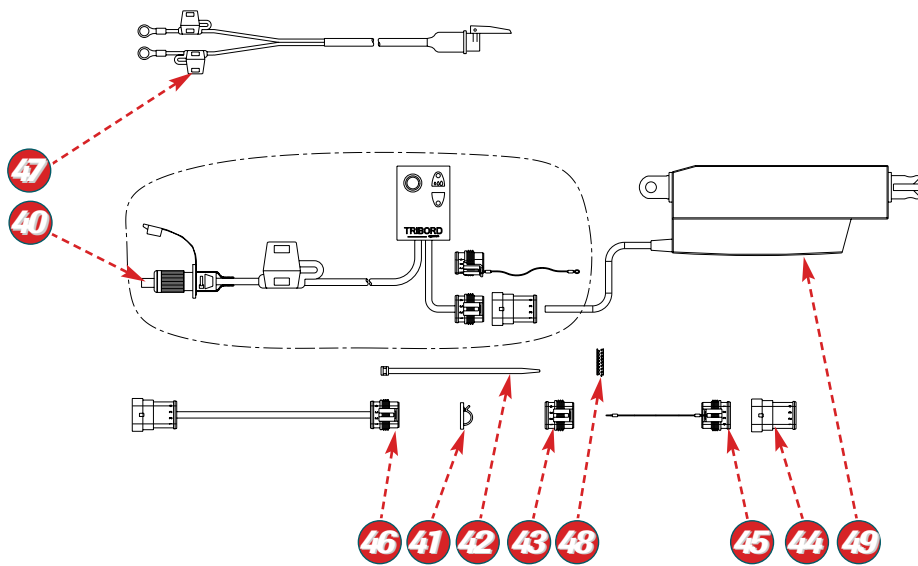
**W 2100 int. profile 00a Ref: 58260040**

REP	DESIGNATION	QTY	REFERENCE
	MALE 1/2 TRANSMISSION WH 2100 FULL		58260040
1	COMPLETE CROSS BRACE 10.01.00	1	51120030
2	THROAT CLAMP 10.48.00	1	55310040
3	PIN 61.04.01	1	
4	PROFILED INT. TUBE 75.06.00 ( 00A = 0520)	1	71210010
5	FLANGE YOKE 10.31.03	1	55310020
6	1/2 EXT. GUARD SCH 05 85.002/450	1	56540150

# DPX TRIBORD SYSTEM - DOUBLE TRAYS



DPA XLT - EP01

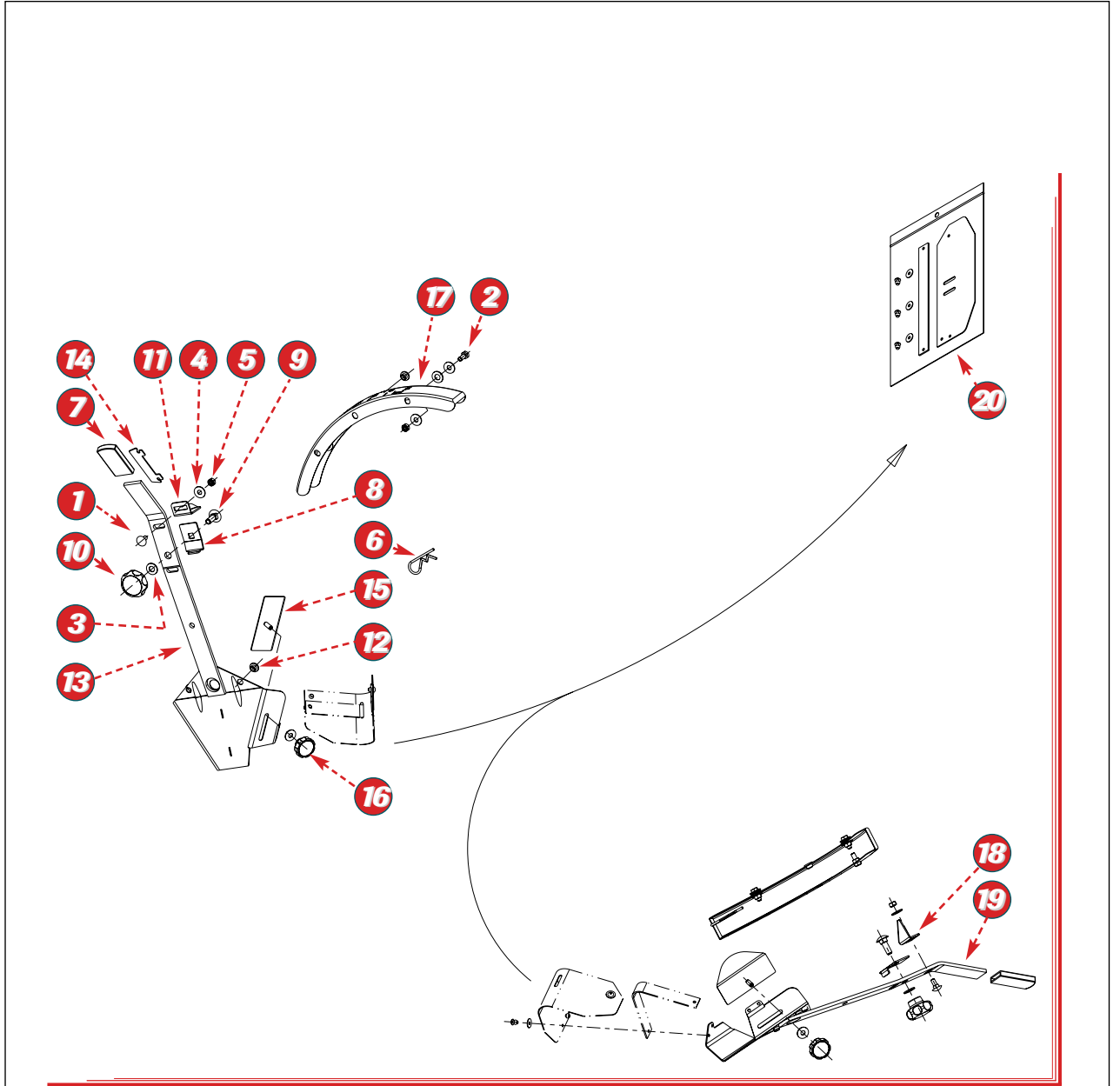


**DPX TRIBORD SYSTEM - DOUBLE TRAYS****DPX TRIBORD system - Double trays (next)****TRIBORD edge system**

REP	DESIGNATION	QTY	REFERENCE
1	BETA PIN D3 STAINLESS STEEL		592701
2	TRIBORD CHUTE DEFLECTOR KIT AS		911014
3	ANTI-BOUNCE TRIBORD AS		911015
4	EDGE ADJUSTING SCALE SO		918365
5	SCREW H 6 x 16 STAINLESS STEEL A2 70		558665
6	WASHER L6 N STAINLESS STEEL A2 70		573856
7	NUT H6 STAINLESS STEEL A2 70		571256
8	ELECTRIC EDGE ADJUSTING SCALE		964115
9	SCREW H 10 x 20 STAINLESS STEEL A2 70 FST		559020
10	NYLON LOCK NUT H10 STAINLESS STEEL A2 70		571410
11	CHUTE SECTOR		935004
12	SCREW TRCC 6 x 15 STAINLESS STEEL A2 70		558715
13	WASHER M8 N INOX A2 70		573808
14	ELECTRIC CONTROL CHUTE LEVER SO		916171
15	EDGE REINFORCEMENT SO		916176
16	SCREW TRCC 8 x 25 STAINLESS STEEL A2 70		558925
17	NYLON LOCK NUT H8 STAINLESS STEEL A2 70		571408
18	SCREW TRCC 8 x 70 STAINLESS STEEL A2 70		558970
19	COLLAR BEARING IGLIDUR W300 D8 x 7-5		753100
20	WASHER M10 N STAINLESS STEEL A2 70		573810
21	WASHER L10 N STAINLESS STEEL A2 70		573860
22	EDGE SPACER TUBE		952153
23	WIDE CONTROL HANDLE H8 STAINLESS STEEL AS		911007
24	PIN V 3 2 x 18 STAINLESS STEEL		593163
25	HALF HOUSING G ELECTRICAL RAM		985231
26	HALF HOUSING G ELECTRICAL RAM		985232
27	PLATE I 2 HOUSING D		985233
28	4 LOBE SEAL D22		740001
29	INSULATION BUSH D6 SR1710 60218		415780
30	SCREW CBL Z ST3 5 x 38 STAINLESS STEEL A2 70		557608
31	SCREW CBL Z ST3 5 x 19 STAINLESS STEEL A2 70		557611
32	EDGE CHUTE INDEX		968015
33	SCREW TRCC 6 x 25 STAINLESS STEEL A2 70		558725
34	NYLON LOCK NUT H6 STAINLESS STEEL A2 70		571456
35	EDGE ROD		941055
36	SCREW H 10 x 30 STAINLESS STEEL A2 70 FP		559030
37	EDGE CHUTE SO		916173
38	SCREW H 8 x 65 STAINLESS STEEL A2 70 FP		558865
39	GUIDING STRIP		965011
40	TRIBORD BEAM CONTROL		983815
41	SELF ADHESIVE WIRE TIGHTENER RB8		415766
42	BLACK NYLON TIGHTENING LINK		794640
43	AMP CONNECTOR 4 FEMALE PINS		720843
44	AMP CONNECTOR 4 MALE PINS		720844
45	AMP CAP 4 FEMALE PINS		721009
46	EXTENSION CTR TRIBORD 9M		983817
47	12 VOLTS COBO HARNESS		983712
48	WIDE VELCRO 25		720850
49	TRAMLINES ELECTRICAL RAM		982502

DPA XLT - EP01

**DPX TRIBORD SYSTEM - DOUBLE TRAYS**



DPA XLT - EP01

**DPX TRIBORD system - Double trays (next)****Left chute**

REP	DESIGNATION	QTY	REFERENCE
1	SCREW TRCC 6 x 15 STAINLESS STEEL A2 70		558715
2	SCREW H 6 x 16 STAINLESS STEEL A2 70		558665
3	WASHER M8 N STAINLESS STEEL A2 70		573808
4	WASHER L6 N STAINLESS STEEL A2 70		573856
5	NUT H6 STAINLESS STEEL A2 70		571256
6	BETA PIN D3 STAINLESS STEEL		592701
7	HANDLE K 28 x 5 x 60 BLACK		415750
8	TIGHTENING HANDLE STOP NG		963116
9	SCREW TRCC 8 x 25 STAINLESS STEEL A2 70		558925
10	CONTROL HANDLE HM8 STAINLESS STEEL AS		911003
11	INDEX G NG		968006
12	CAP D9 GPN 300 F041 NAT		415716
13	CHUTE GLX SO G		919080
14	GUIDING STRIP		965011
15	EDGE DEFLECTOR NG SO		918170
16	CONTROL HANDLE H6 STAINLESS STEEL AS		911001
17	CHUTE SECTOR		935004
18	INDEX D NG		968005
19	CHUTE GLX SO D		919081
20	ANTI-BOUNCE KIT AS		911008